

VK Series

High pressure and powerful centrifugal inline exhaust fan.

IPX4
Rated

Blauberg
Motoren
Motor

German
Made

2
Year

2 year
replacement
warranty

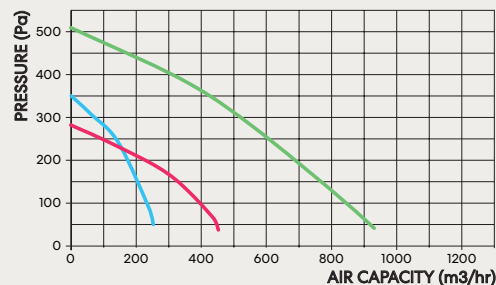
fanco

100: EXVUVP100
150: EXVUVP150
200: EXVUVP200

This fan can be used with the
ESVURS1 speed controller.

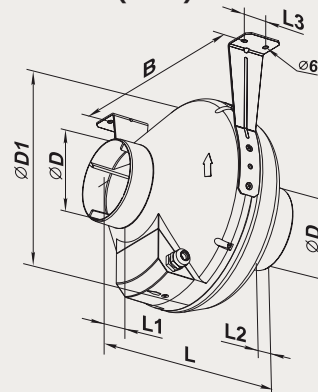
Larger models
require hardwiring

The external casing
is made of corrosion
resistant durable plastic.
All motors also include
thermal overheating
protection.



MODEL COLOUR
VK 100 Blue
VK 150 Red
VK 200 Green

Dimensions (mm)



	100 High	125 High	150 High
Voltage	230	230	230
Current (A)	0.34	0.35	0.76
Power (w)	80	80	173
Noise Level dB(A)	46	46	51
Capacity (m ³ /hr)	250	460	930
Capacity (l/s)	69.5	127.88	258.54
Capacity (CFM)	147.25	270.94	547.77
Duct Size (mm)	100	150	200

Model	100	150	200
D	100	150	200
D1	250	300	340
B	270	310	354
L	230	286	276
L1	30	30	30
L2	27	30	30
L3	30	30	40

Maximum temperature of transferred air 60°. The fan is designed for indoor application with the ambient temperature ranging from +1 °C up to +40 °C and relative humidity up to 80 %.