

Studio

DC

Installation Manual

fancoo 

CEILING FAN INSTRUCTION BOOKLET

Thank you for purchasing your Fanco Studio DC Ceiling Fan.
Please read all instructions carefully before assembly and use.

IMPORTANT SAFEGUARDS:

Read all instructions carefully, even if you feel you are quite familiar with this type of appliance. When using electrical appliances, in order to reduce the risk of fire, electric shock, and/or injury, these basic safety precautions should always be followed:

1. All wiring must be done by a licenced electrician as on-site warranty may be voided if proof cannot be provided. This ceiling fan **MUST** be installed by a Qualified Electrical Contractor in accordance with the local regulations, and all local, state and national electrical codes. Any alterations or additions to building wiring must be completed by a licensed electrical contractor, or person authorised by legislation to work on the fixed wiring of any electrical installation.
2. The fan must be connected to a 240V AC 50Hz power supply.
3. All electrical work must only be undertaken after disconnection of the power by removing fuses or turning off the circuit breaker, to ensure all pole isolation of the electrical supply.
4. The fan must be earthed.
5. The fan must be installed so that the blades are at least 2.1 metres above the floor.
6. The ceiling fan weight is max. 7kg. The structure that the ceiling fan is mounted to must be capable of supporting a weight of at least 45kg. The fixing must be able to support the moving weight of the fan and must not twist or work loose.
7. For optimal performance, ensure installation site allows sufficient clearance (minimum 300mm) between the blades and wall or other object present (ex. beams). Insufficient clearance between the blade tip and wall or ceiling, may cause undesired effects such as wobbling or reduced airflow, which is not covered under warranty. The bigger the clearance, the better the airflow output.
8. This fan is rated for Indoor Locations Only. **DO NOT** install this product outdoors. Installing the fan in a position where it could be exposed to water, moisture or external elements is dangerous. Any exposure to the outdoor elements or salty air can potentially cause damage and **will not be covered under warranty**.
9. **DO NOT** connect the fan motor to a dimmer switch. This may give an unsatisfactory performance (motor hum) and cause damage to the motor and/or controller. Use **ONLY** the provided remote or wall control.
10. This appliance is not intended for use by young children or infirm persons without supervision. Young children should be supervised to ensure that they **DO NOT** play with the appliance.
11. It is **NOT** recommended that ceiling fans and gas appliances be operated in the same room at the same time.
12. The fan must be turned off and stopped completely before reversing the fan direction. This will prevent any damage to the motor of the fan or controller.
13. Do not insert anything into the fan blades whilst they are spinning. This will damage the blades and upset the balance of the fan causing the unit to wobble.
14. After the fan is completely installed make sure that all base and fan blade fixings are secured and tightened to prevent any problems.
15. Because of the fan's natural movement, some connections may loosen. Check the support connections, brackets and blade attachments twice a year to make sure they remain secured. If any are loose, tighten.
16. If unusual oscillating movement is observed, immediately stop using the ceiling fan and contact the manufacturer, its service agent or suitably qualified persons.

17. The replacement of parts of the safety suspension system device shall be performed by the manufacturer, its service agent or suitably qualified persons.
18. If it is necessary to replace the live or neutral brushes to ensure operation of the motor then both brushes and the earth brush shall be replaced at the same time. The brushes shall only be replaced by a suitably qualified person.
19. An all-pole disconnection incorporated in the fixed wiring is to be provided, such as an all-pole switch or a supply cord fitted with a plug.
20. The remote/receiver included is intended to be used with this fan and associated light component ONLY and is not compatible with any other lighting and/or any other electrical device. Use of it in any way other than intended may result in damage to the fan, receiver and/or other devices and as such, will void warranty.
21. The LED light panel (light models only) light kit is user replaceable as it connects with 'Push Plug' wiring. **It is user replaceable ONLY with Fanco certified replacement LED panels.** Using unauthorised parts may damage the fan, cause undesired results, or be a safety hazard.
22. The max operating temperature for the fan is 40°C. Keep the fan away from any heat sources, like fire place, heater and stove.
23. Reasonable 'wear and tear' is not covered under warranty. For comprehensive warranty terms & conditions visit fanco.com.au

IMPORTANT NOTE:

The important safeguards and instructions given in this manual are not meant to cover all possible conditions and situations that may occur. It must be understood that common sense, caution and care are factors which cannot be built into any product.

CAUTION:

- **DO NOT** ingest battery - Chemical burn hazard
- The remote supplied with this product contains 2xAAA batteries. If the battery is swallowed, it can cause severe internal burns in just 2 hours and can lead to death
- Keep the new and used batteries away from children. Examine devices regularly, and ensure the battery compartment is secure
 - If the battery compartment does not close securely, stop using the product and keep it away from children
- If you think the batteries might have been swallowed or placed inside any part of the body, seek immediate medical attention
 - Call the Poisons Information Centre on **13 11 26** or go to a hospital emergency room
 - **DO NOT** let the child eat or drink or induce vomiting. Dispose of used button batteries immediately
- The batteries supplied with this product is not to be recharged
- Different types or new and used batteries are not to be mixed
- Battery to be inserted with the correct polarity; '+' for positive, '-' for negative
- Exhausted batteries are to be removed from the appliance and safely disposed of
- If the appliance is to be stored unused for a long period, the batteries should be removed
- Dispose of used button batteries immediately
- Flat batteries can still be dangerous. The supply terminals are not to be short-circuited

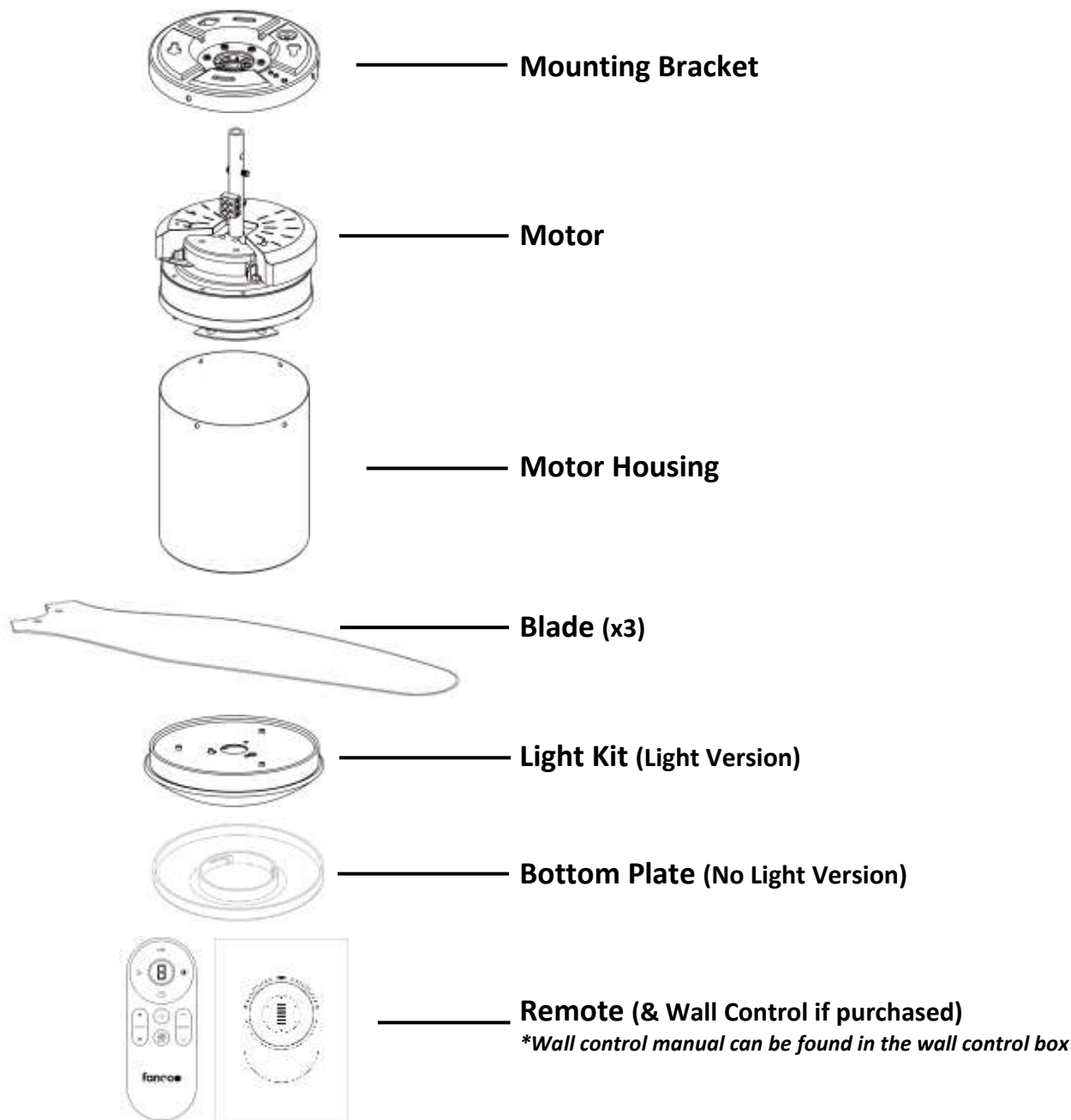
FAULT FINDER:

Always check the “Troubleshooting Checklist” included in this manual before seeking a warranty claim. A mechanical noise may be noticed on installation so allow at least an 8 hours settling-in period. Some fans may wobble more than others, even if they are identical. This does not necessarily indicate a fault.

PREPARATION:

1. Unpack your ceiling fan carefully, then remove all parts and components, and lay on a cloth or soft surface to avoid damage.
DO NOT lay the motor housing on its side as the housing may get damaged.
2. Before commencing installation, check that all parts are included.

NOTE: You may need to remove all foam packaging material to ensure there are no missing parts.



INSTALLATION AND ASSEMBLY:

CAUTION! Before installing the fan make sure you have turned **OFF** the electricity supply.

The fixing screws included are designed for use when ceiling fan is secured onto timber joists. For all other surfaces, additional and suitable fixing screws for that surface will need to be purchased.

SELECTING A LOCATION:

1. Choose a location for mounting the fan where the blades will have at least 2.1 metres of clearance from the floor.
2. Make sure that the installation site will not allow the rotating fan blades to come into contact with any object and that there is enough space from the blade tip to the wall or ceiling. Please note that insufficient clearance distances might cause wobbling and the bigger this clearance is the better the airflow from your fan will be.
3. Secure the hanging bracket to the ceiling joist or suitable structure that is capable of carrying a load of at least 45kg, with the two long fixing screws provided. Ensure that at least 30mm of the screw is threaded into the support.

NOTE: The fixing screws included are designed for use when ceiling fan is secured onto timber joists. For all other surfaces, additional and suitable fixing screws for that surface will need to be purchased.

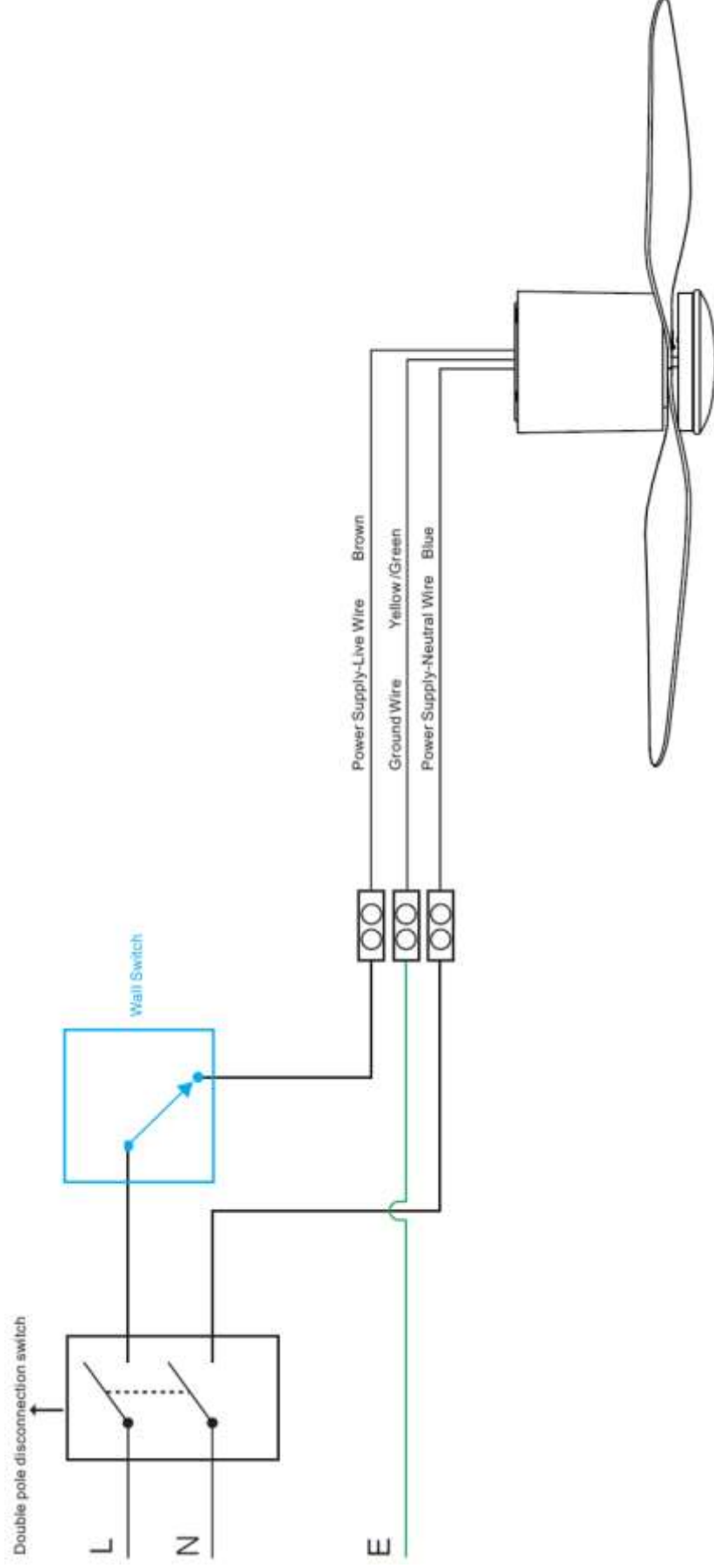
4. **DO NOT** use outdoors. Installing the fan in a position where it could be exposed to water or moisture is dangerous. This fan is rated for **Indoor Locations Only**.
5. Wear and tear, including exposure from the elements, is not covered under warranty.
6. This product is not approved for coastal use or other locations with high salt content in the air (e.g., near a salt water pool) and includes installation indoors. Any motor or mechanical fault caused by the salt, will not be covered under warranty.

NOTE: A location is considered a coastal area anywhere up to about 20km from the ocean (or similar), and the air has a high salt content. Due to different geographical locations, the exact distance and location that may be considered coastal may vary.

ELECTRICAL CONNECTIONS - FOR SMART/REMOTE MODELS

Ensure the power is **OFF** when installing this fan.

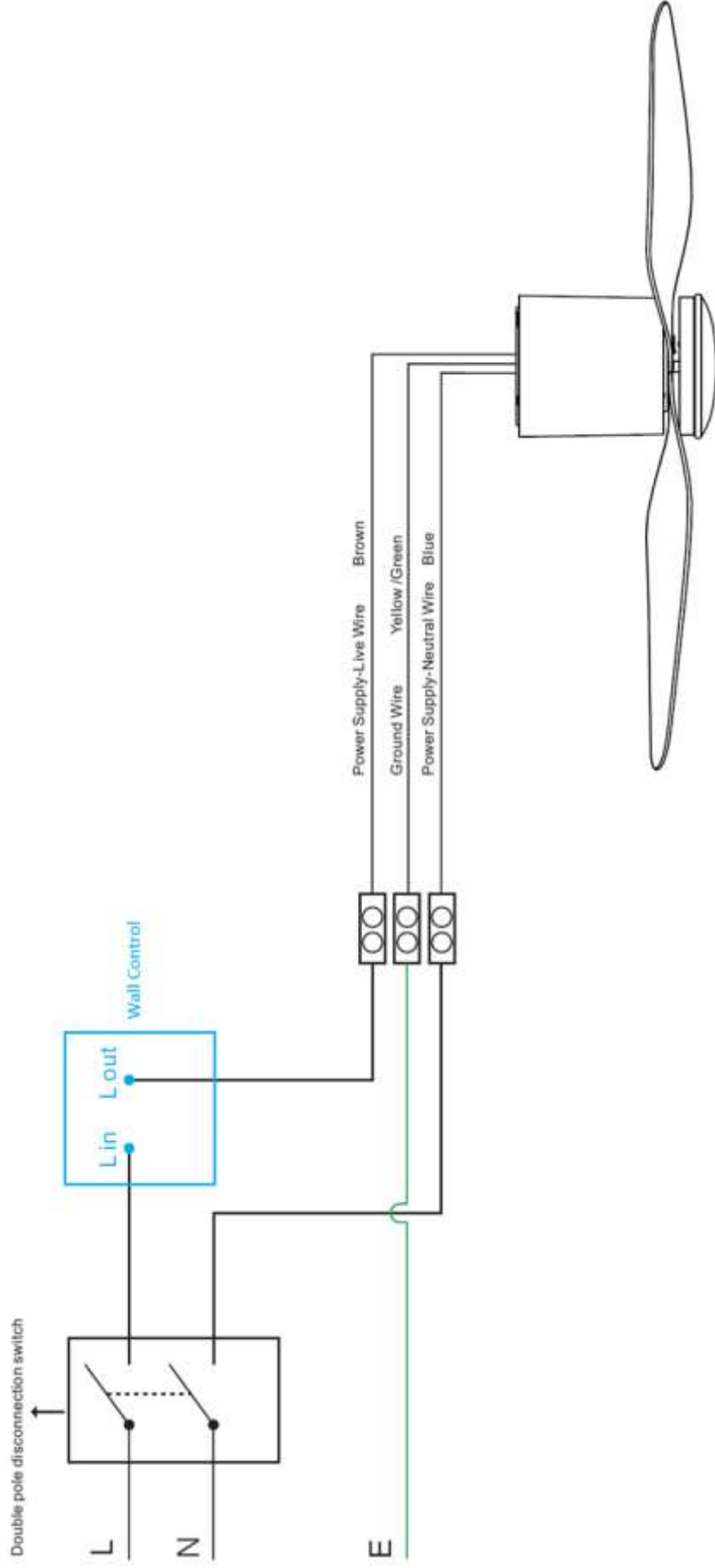
WIRING DIAGRAM - WITH/WITHOUT LIGHT



ELECTRICAL CONNECTIONS - FOR WALL CONTROL MODELS

Ensure the power is **OFF** when installing this fan.

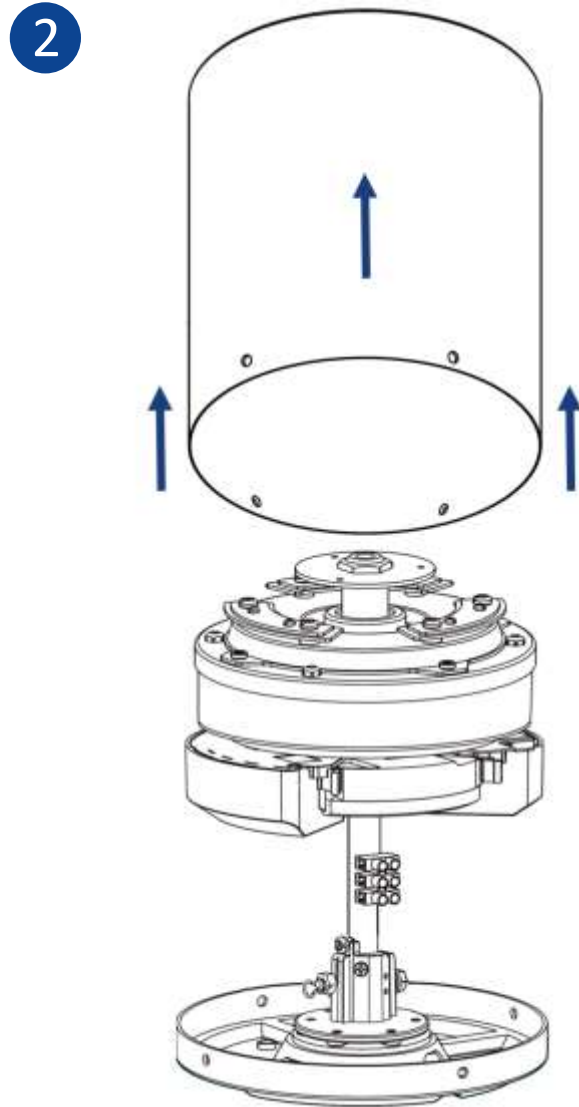
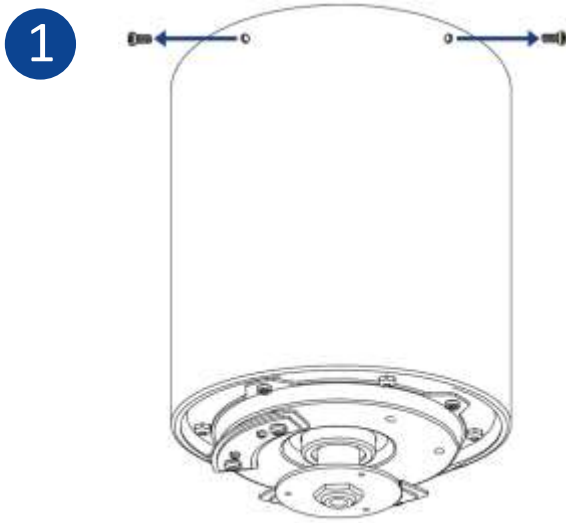
WIRING DIAGRAM - NO LIGHT



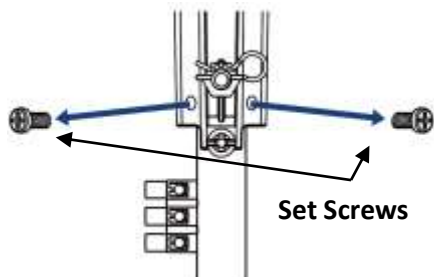
INSTALLATION STEPS:

Ensure the power is **OFF** when installing this fan.

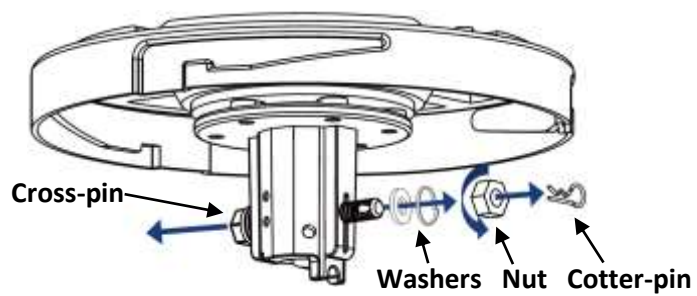
1. Remove motor housing from the motor and mounting bracket.



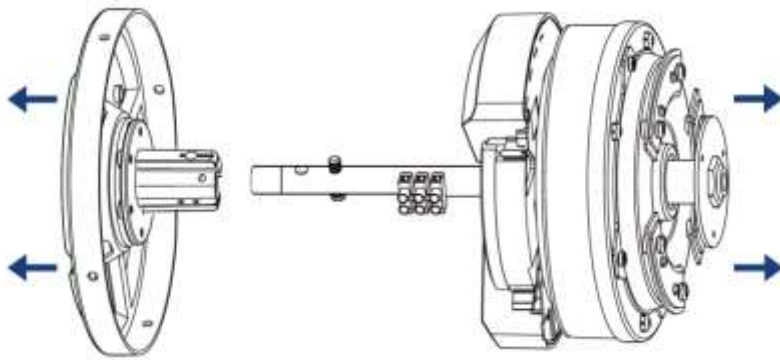
2. Remove the set screws.



3. Remove the cotter-pin, nut, washers and then the cross-pin from the downrod holder.

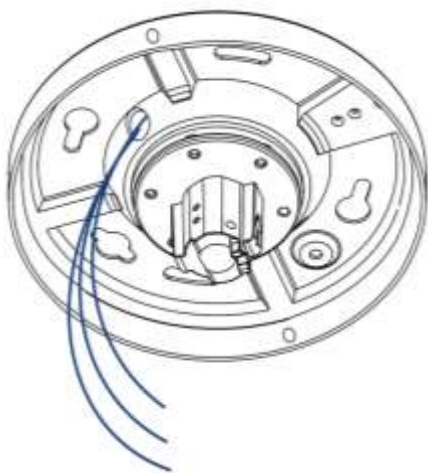


4. Remove motor/downrod from the mounting bracket.

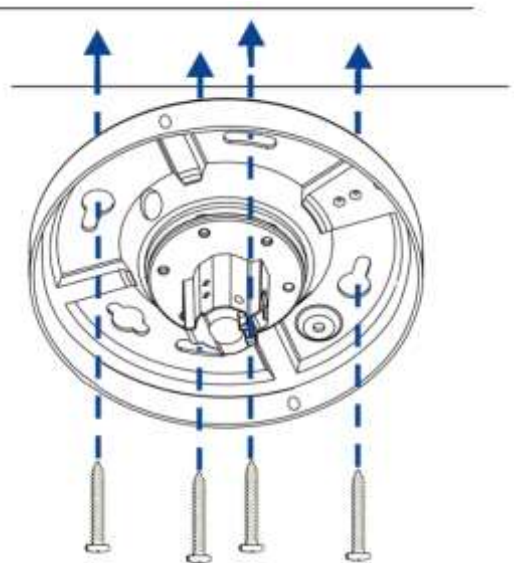


5. Feed the main cable through the large hole on the mounting bracket and screw the mounting bracket to the ceiling joists or to the suitable structure.

a



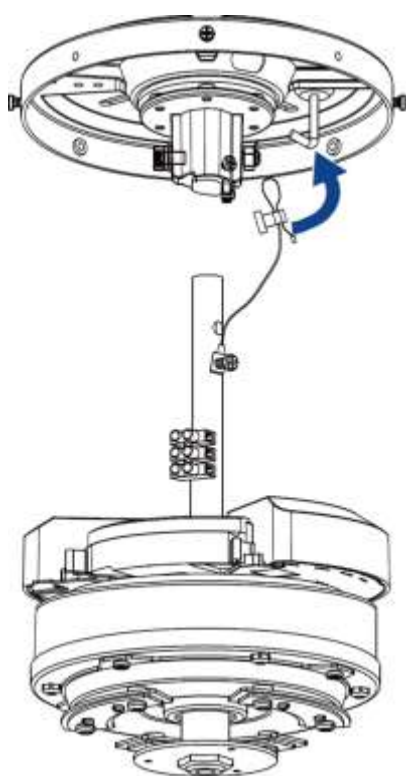
b



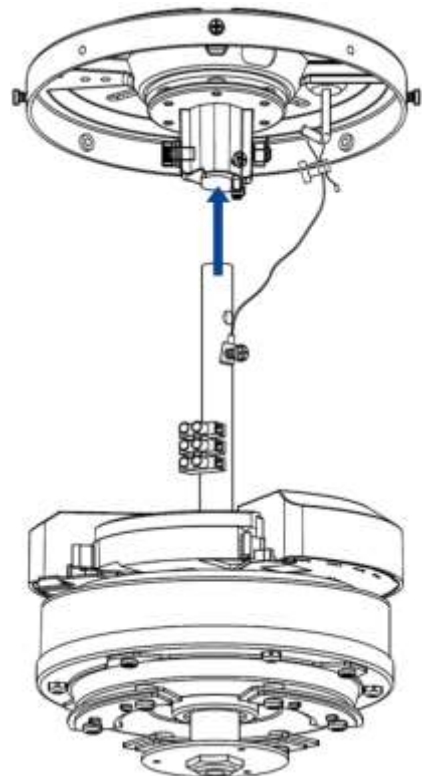
6. Place the safety cable onto the safety hook and tighten the loop.

7. Connect the motor/downrod to the mounting bracket.

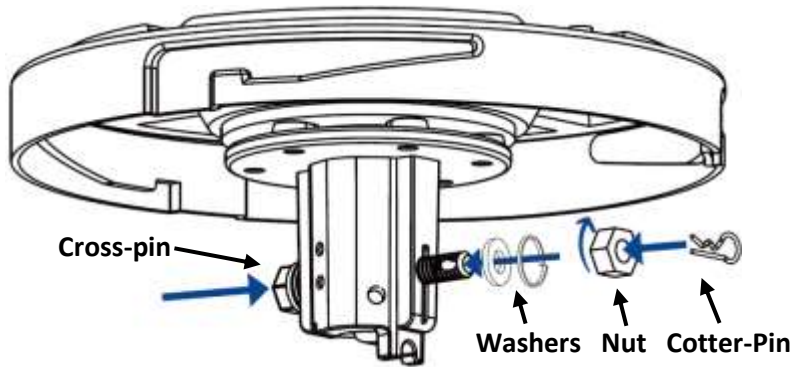
a



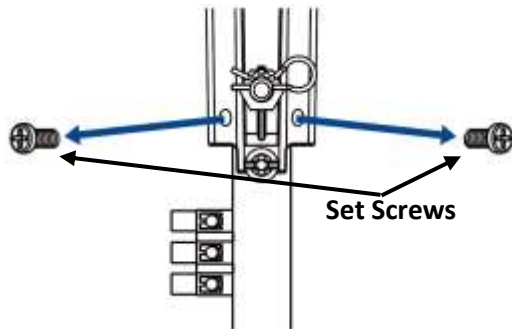
b



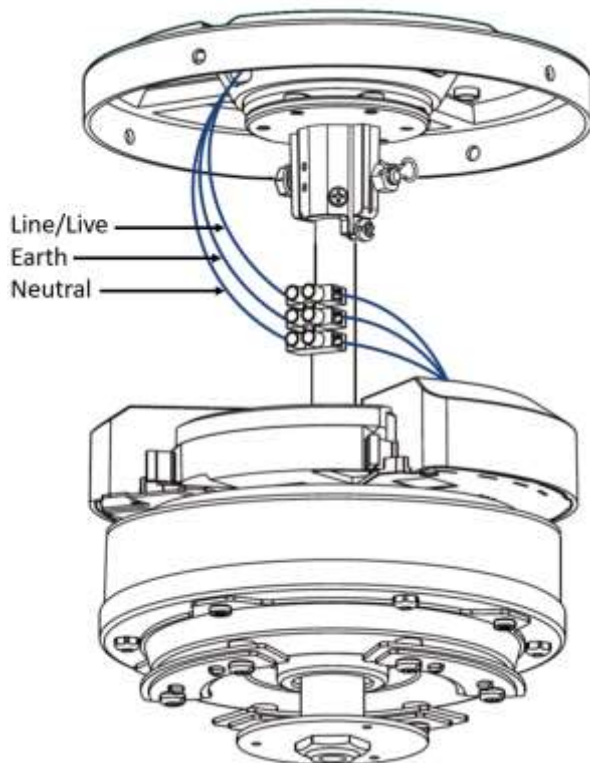
8. Gently insert the cross-pin through the downrod holder. Place washers (flat then spring), tighten nut and place cotter-pin.



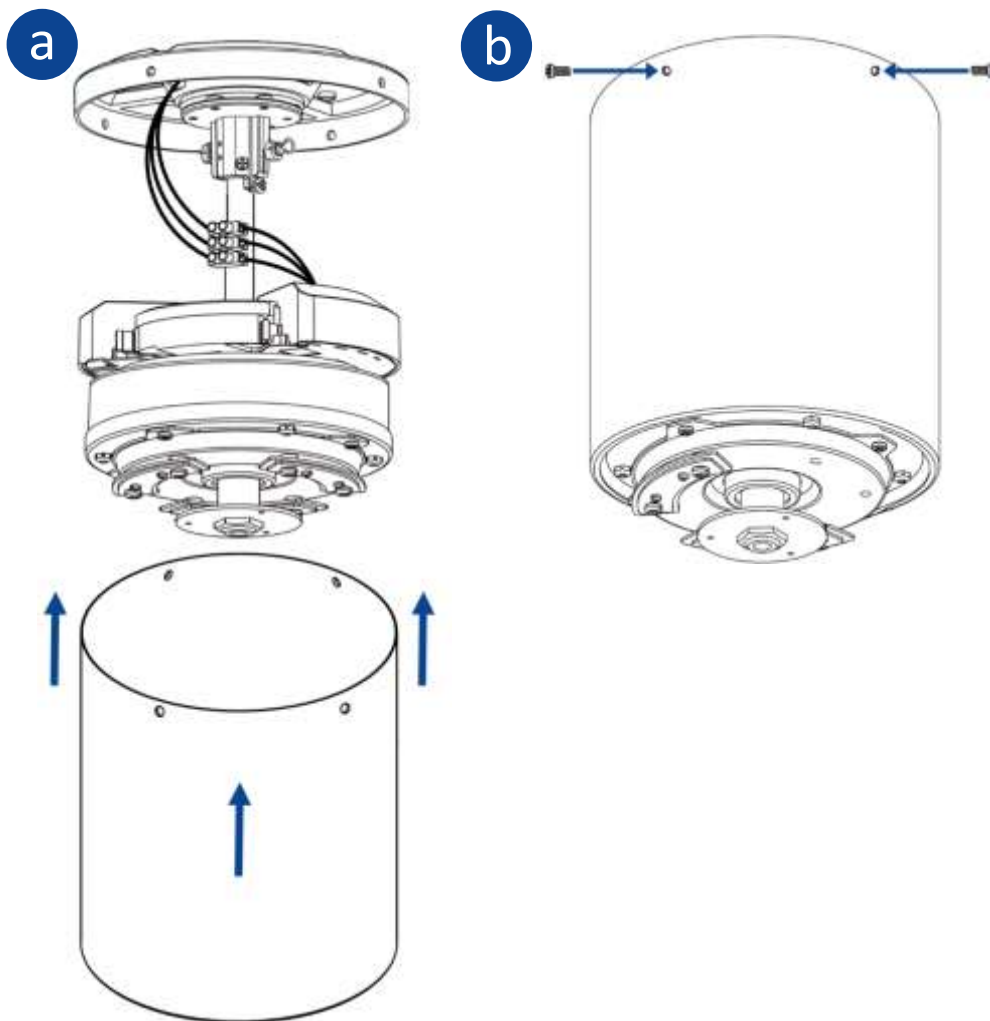
9. Place the set screws into the screw holes and tighten.



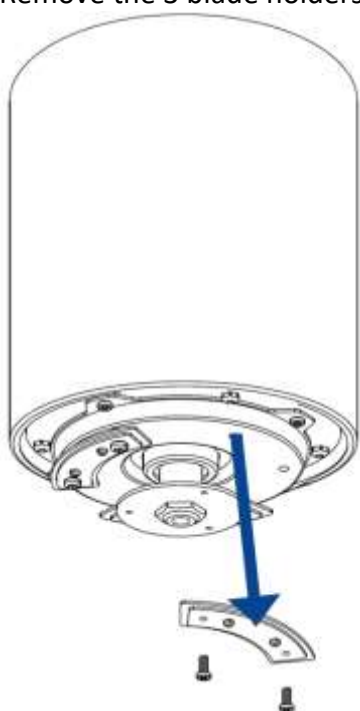
10. Connect wiring into corresponding terminals.



11. Install motor housing over motor body, and align screw holes with the mounting bracket. Insert the mounting cover screws.

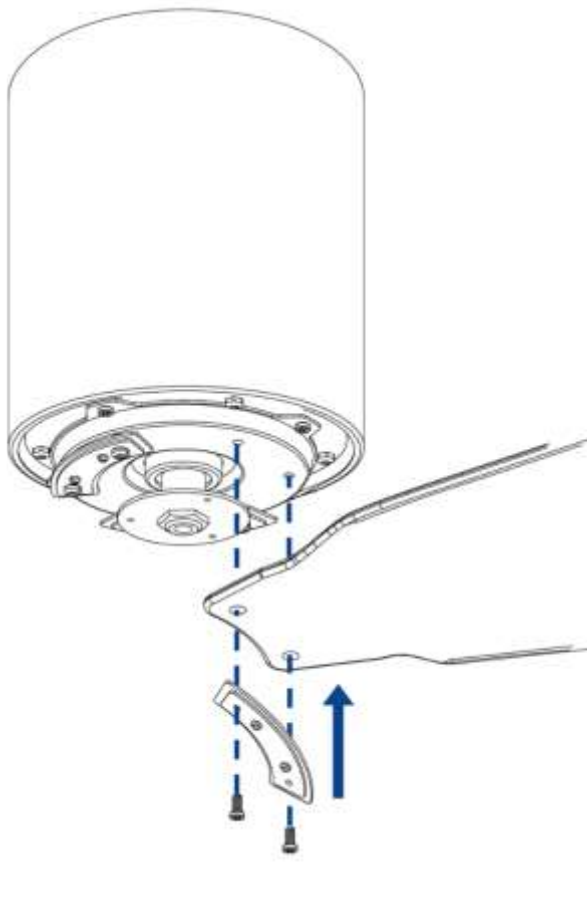


12. Remove the 3 blade holders from the motor body.

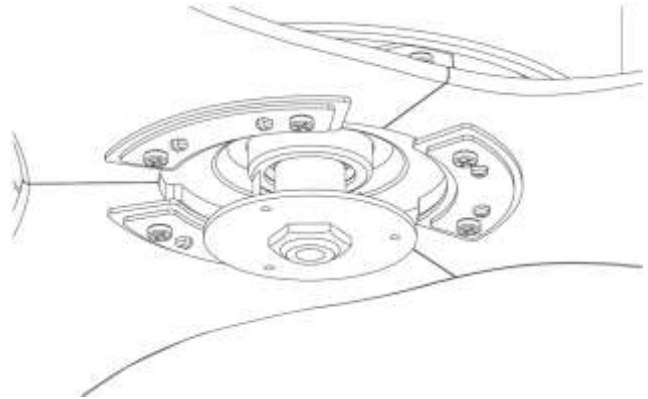


13. Attach the blades as per the below diagram.

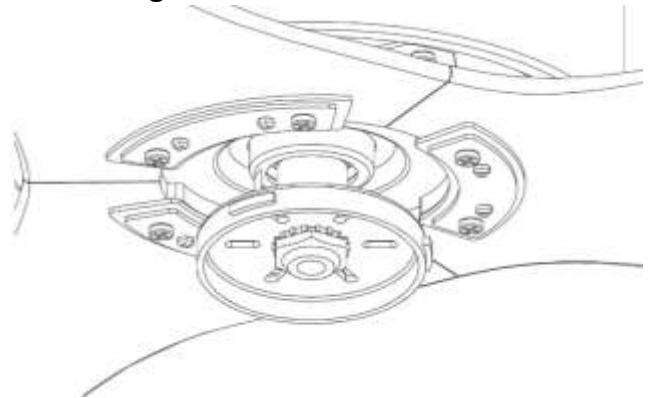
NOTE: Make sure all the blades spin smoothly after attaching.



With Light

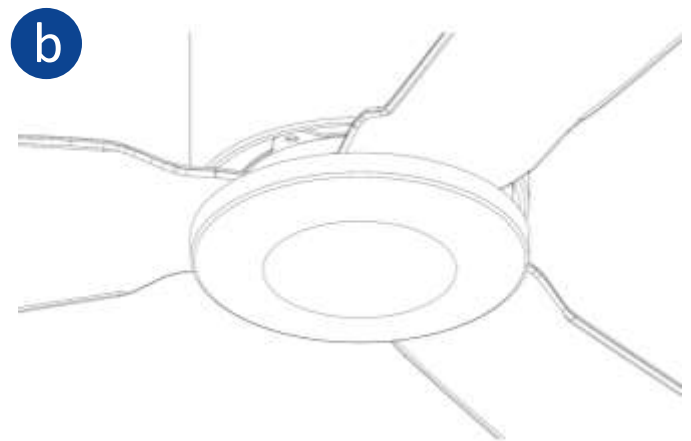
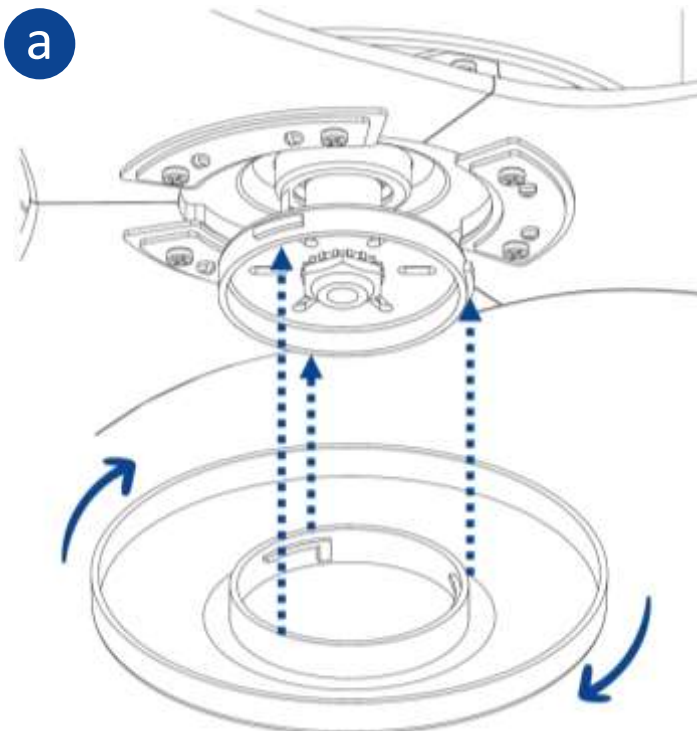


Without Light



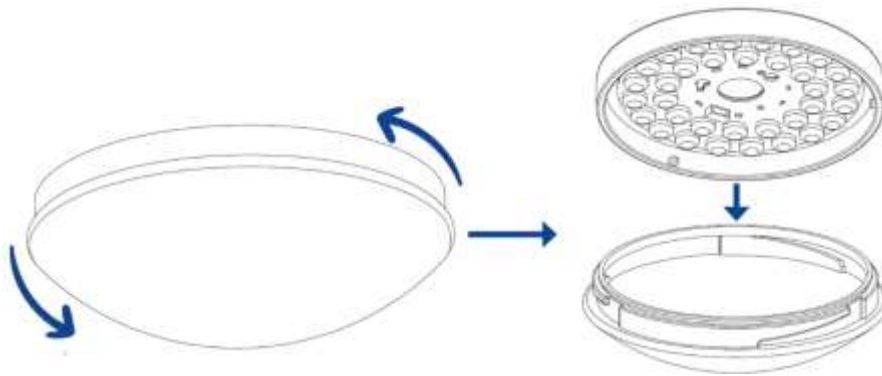
MODELS WITHOUT LIGHT

1. Align the bottom plate with the plate bracket (pictured below) and twist clockwise until secured.

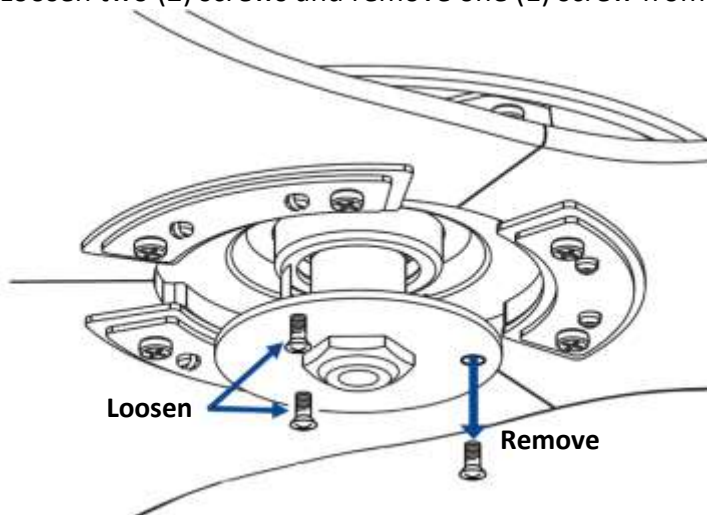


MODELS WITH LIGHT

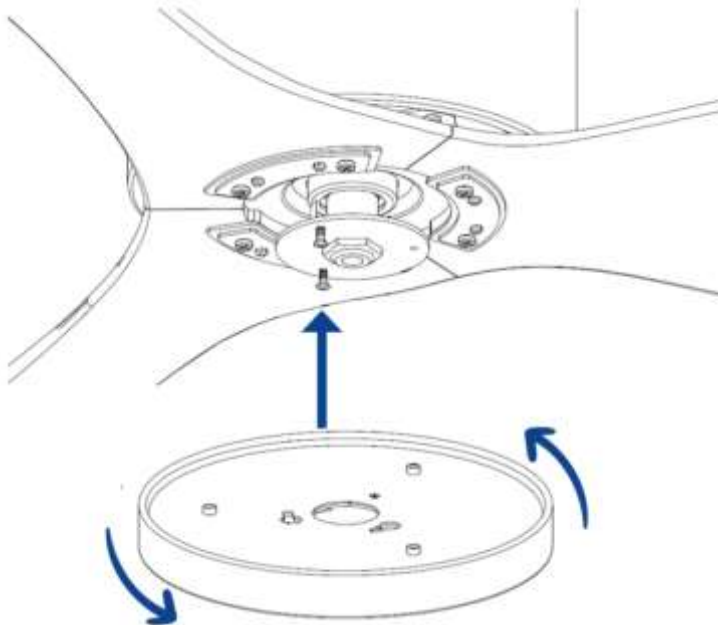
1. Separate the light kit plate and diffuser.



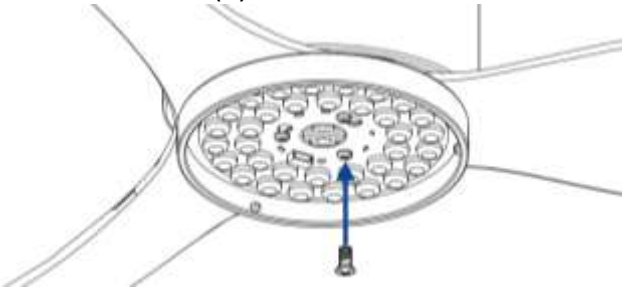
2. Loosen two (2) screws and remove one (1) screw from the light kit plate holder as pictured.



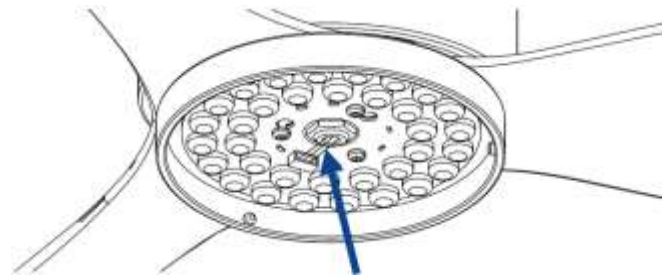
3. Align the Light Plate with the two (2) screws and rotate to lock it into position.



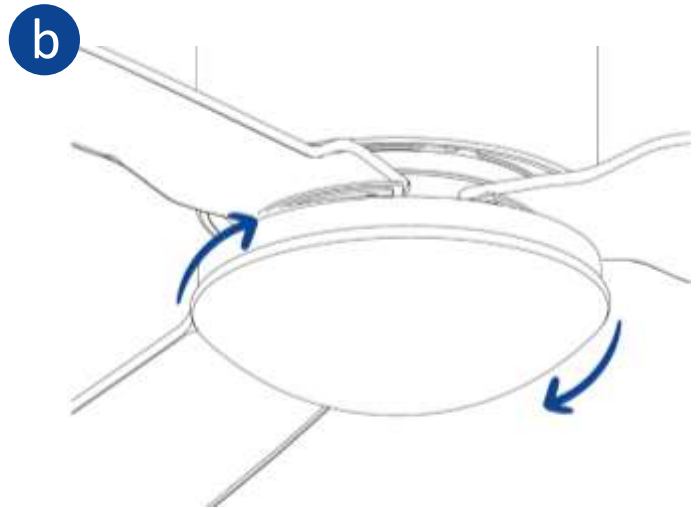
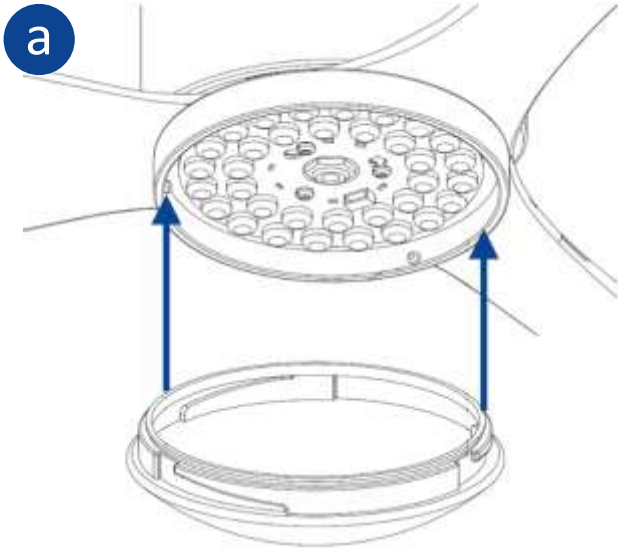
4. Replace the removed screw and tighten all three (3) screws.



5. Insert wire into the light kit plate.



6. Align the diffuser with the lock points on light kit plate and gently twist to lock into place.



CARE & CLEANING:

- Periodic cleaning (approximately every 6 months) of your ceiling fan is the only maintenance required.
- Use a soft brush or lint free cloth to avoid scratching the finish. Please turn off electricity when you do so.
- Do not use water when cleaning your ceiling fan. It could damage the motor or the blades and create the possibility of an electrical shock.
- The motor has a permanently lubricated ball bearing and as such, is maintenance free.

NOISE:

The manufacturer warranty covers actual faults that may develop, but NOT minor complaints, e.g. motor operation noise - **ALL ELECTRIC MOTORS ARE AUDIBLE TO SOME EXTENT**; this is more obvious when the fan is operating at low speeds.

WOBBLE:

- Ceiling fans are designed to move during operation because they are not generally rigidly mounted
- Movement of a couple of centimetres is acceptable for safe operation.
- Balancing kits included should be used to adjust the balancing when first installed.

NORMAL WEAR AND TEAR:

Vigorous cleaning or rough handling of the fan may cause threaded components to work loose or blade carriers to bend. This may cause the fan to wobble or may result in additional noise over time. **THIS IS NOT COVERED UNDER WARRANTY**; however, proper care and maintenance of the fan can reduce or prevent this problem.

REMOTE CONTROL SETTINGS AND OPERATION FOR DC FANS

REVERSE FUNCTION:

The “Summer/Winter” reverse function is included in the remote control to make the fan rotate in an anti-clockwise direction during summer.

In winter, this can be reversed, so that the blades now move in a clockwise direction. Press once “F/R” button for 3 seconds whilst the fan is in operation, to switch between “Summer” and “Winter modes.

The Hand-Held Remote-Control System is equipped with a learning frequency function which has code combinations to prevent potential interference from other remote units. The frequency on your Receiver and Transmitter units have been pre-set at the factory. If the remotes need programming, please following the below instructions.

PAIRING THE REMOTE:

All Studio DC fans are pre-paired and there is no pairing process needed to start the fan.

If you want to reset the fan to factory setting. Please follow steps below.

1. Connect power to the fan.
2. Within 10 seconds after turning on the power, short press “ON/OFF” 3 times and hold the button for 3 seconds. Then, the fan will beep once and it means it’s paired successfully.
3. Now test the remote by pressing on speeds or light button.
4. It can take up to 10 seconds for the fan to start moving, after pressing a speed button. The fan may move a few times slightly backwards and forwards and then will start rotating slowly whilst building up to the correct speed. This is normal behaviour for DC fans.

CONSIDERATIONS:

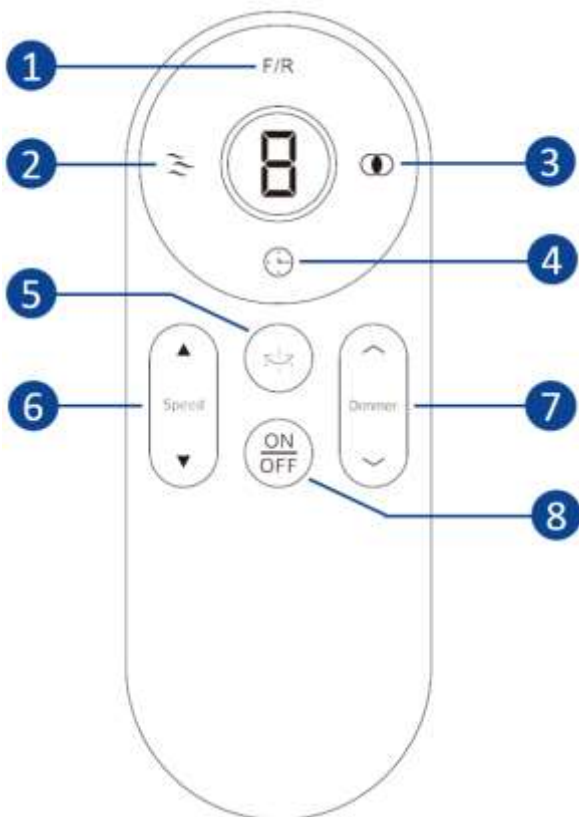
1. If the receiver is not receiving a signal from the remote control:
 - a. Please check the battery to ensure it has sufficient power, has been inserted correctly and aligns with the positive and negative terminals; and
 - b. Please check if there are any other similarly remote-controlled objects that work nearby, as remote-controlled items operating on the same frequency may disturb each other.
2. If the battery is low, it will affect the sensitivity of the remote control and the signal reception and must be replaced.
3. Please remove the battery if the remote control is not being used for a long time.
4. If multiple fans are installed near the fan to be paired, power to the other fans should be turned off before pairing.

INSTALLING MULTIPLE FANS:

Sometimes you may encounter a remote-control issue when installing multiple fans. For the purposes of this troubleshooting guide: Fan A uses Remote control A and Receiver A, while Fan B uses Remote control B and Receiver B.

- Isolate power to one fan only when pairing the remotes.
- When installing two or more fans, you should manually isolate power to Fan B while completing the pairing process on Fan A.
- If power is not isolated to one of the fans when the power is restored at the fuse box, then both receivers will be put into “learning mode” such that when you try to pair Remote control A to Receiver A, Receiver B will also be in learning mode and might pair to Remote control A also.

FUNCTIONS OF THE TRANSMITTER



- 1 Forward/Reverse Mode**
Hold for 3 seconds to change.
Forward (anti-clockwise) = Summer
Revers (clockwise) = Winter
- 2 Natural Wind Mode**
Cycles between speeds 2, 3, 4, 5 & 6 to simulate natural air movement
- 3 CCT Light**
Stepless CCT - Press and hold to select the desired colour temperature.
CCT - Short press to select from the 3 colours: warm, cool or daylight (light models only)
- 4 Timer**
1-9 hour run on timer
- 5 Light ON/OFF**
- 6 Fan Speed Selection**
- 7 Light Dimmer**
8 levels of brightness to choose from
- 8 FAN ON/OFF**

Once the Forward/Reverse is held for 3 seconds, the display will show alternating bars which will indicate the fans direction. When it moves from top to bottom the fan is in forward (summer mode). Bottom to top means reverse (winter mode).

TROUBLESHOOTING:

Trouble	Possible Cause	Suggested Remedy
Fans does not start after pairing process.	Remote and receiver are not paired successfully Battery flat in remote control Loose wire connections or plugs to fan/receiver No power goes into the fan	Re-pair the receiver and remote Replace the battery in remote control Check wire connections and ensure plugs are positively connected Check RCD/Switch board and wiring on premises
Fan keeps beeping, but will not start.	Loose wire connections or plugs to fan/receiver	Check wire connections and ensure plugs are positively connected
Fan wobbles.	Screws on down rod are not tightened Blades are not balanced	Retighten the screws on down rod Use the balancing kit to balance the blades.
Fan makes clicking sound.	Coupling cover does not sit securely on motor housing Rubber ring on coupling cover is removed	Adjust coupling cover and ensure it sits properly on the motor housing Check couple cover and ensure there's a rubber ring on the top of the cover.

Model Number	Rated Voltage	Motor Consumption	Rated Light Power	Control
F9000/101A	220-240 Vac	Max. 45w	N/A	Remote
F9000/121A	220-240 Vac	Max. 45w	N/A	Remote
F9001/101A	220-240 Vac	Max. 45w	Max 18w	Remote
F9001/121A	220-240 Vac	Max. 45w	Max 18w	Remote
F9001/101B	220-240 Vac	Max. 45w	Max 18w	Remote
F9001/121B	220-240 Vac	Max. 45w	Max 18w	Remote
F9020/101A	220-240 Vac	Max. 45w	N/A	Wall Control
F9010/101A	220-240 Vac	Max. 45w	N/A	Remote
F9010/121A	220-240 Vac	Max. 45w	N/A	Remote
F9011/101A	220-240 Vac	Max. 45w	Max 18w	Remote
F9011/121A	220-240 Vac	Max. 45w	Max 18w	Remote
F9011/101B	220-240 Vac	Max. 45w	Max 18w	Remote
F9011/121B	220-240 Vac	Max. 45w	Max 18w	Remote
F9000/101B	220-240 Vac	Max. 45w	N/A	Remote
F9000/121B	220-240 Vac	Max. 45w	N/A	Remote
F9010/101B	220-240 Vac	Max. 45w	N/A	Remote
F9010/121B	220-240 Vac	Max. 45w	N/A	Remote
KF9030/101B	220-240 Vac	Max. 45w	N/A	Wall Control
KF9030/121B	220-240 Vac	Max. 45w	N/A	Wall Control
KF9020/101B	220-240 Vac	Max. 45w	N/A	Wall Control
KF9020/121B	220-240 Vac	Max. 45w	N/A	Wall Control

NOTES:

A series of horizontal dotted lines for taking notes, starting below the 'NOTES:' header and extending to the bottom of the page.

NOTES:

A series of horizontal dotted lines for writing notes, starting below the 'NOTES:' header and extending across the width of the page.

fanco ●