

Origin

DC

Installation Manual

fanco 

Ceiling fan instruction booklet

Thank you for purchasing your Origin DC Ceiling Fan. Please read all instructions carefully before assembly and use.

IMPORTANT SAFEGUARDS

Read all instructions carefully, even if you feel you are quite familiar with this type of appliance. When using electrical appliances, in order to reduce the risk of fire, electric shock, and/or injury, these basic safety precautions should always be followed:

1. All wiring must be done by a licenced electrician as on-site warranty may be voided if proof cannot be provided. This ceiling fan **MUST** be installed by a Qualified Electrical Contractor in accordance with the local regulations, and all local, state and national electrical codes. Any alterations or additions to building wiring must be completed by a licensed electrical contractor, or person authorised by legislation to work on the fixed wiring of any electrical installation.
2. The fan must be connected to a 240V AC 50Hz power supply.
3. All electrical work must only be undertaken after disconnection of the power by removing fuses or turning off the circuit breaker, to ensure all pole isolation of the electrical supply.
4. The fan must be earthed.
5. The fan must be installed so that the blades are at least 2.1 metres above the floor.
6. The ceiling fan weight is max. 8.5 kg. The structure that the ceiling fan is mounted to must be capable of supporting a weight of at least 60 kg. The fixing must be able to support the moving weight of the fan and must not twist or work loose.
7. Make sure that the installation site will not allow the rotating fan blades to come into contact with any object and that there is enough space from the blade tip to the wall or ceiling. Please note that insufficient clearance distances might cause wobbling and the bigger this clearance is the better the airflow from your fan will be.
8. This product can be installed in a position where it is covered or enclosed al fresco areas and there is a minimum clearance of 1.50 m from the blade tip to all edges of the roof or positions where could be exposed to water, moisture or other dangerous external elements.
9. **DO NOT** connect the fan motor to a dimmer switch. This may give an unsatisfactory performance (motor hum) and cause damage to the motor and/or controller. Use **ONLY** the provided remote control.
10. This appliance is not intended for use by young children or infirm persons without supervision.
11. Young children should be supervised to ensure that they **DO NOT** play with the appliance.
12. It is **NOT** recommended that ceiling fans and gas appliances be operated in the same room at the same time.
13. The fan must be turned off and stopped completely before reversing the fan direction. This will prevent any damage to the motor of the fan or controller.
14. Do not insert anything into the fan blades whilst they are spinning. This will damage the blades and upset the balance of the fan causing the unit to wobble.
15. After the fan is completely installed make sure that all base and fan blade fixings are secured and tightened to prevent any problems.
16. Because of the fan's natural movement, some connections may loosen. Check the support connections, brackets and blade attachments twice a year to make sure they remain secured. If any are loose, tighten.
17. If unusual oscillating movement is observed, immediately stop using the ceiling fan and contact the manufacturer, its service agent or suitably qualified persons.
18. The replacement of parts of the safety suspension system shall be performed by the manufacturer, its service agent or suitably qualified persons.

19. If it is necessary to replace the live or neutral brushes to ensure operation of the motor then both brushes and the earth brush shall be replaced at the same time. The brushes shall only be replaced by a suitably qualified person.
20. An all-pole disconnection incorporated in the fixed wiring is to be provided, such as an all-pole switch or a supply cord fitted with a plug.
21. The light source in light kit is not replaceable; when the light source reaches its end of life the whole light kit shall be replaced by manufacture, his service agent or a qualified person.
22. The max operating temperature for the fan is 40 °C. Keep the fan away from any heat sources, like fire place, heater and stove.

IMPORTANT NOTE:

The important safeguards and instructions given in this manual are not meant to cover all possible conditions and situations that may occur. It must be understood that common sense, caution and care are factors which cannot be built into any product.

CAUTION:

Do not ingest battery - Chemical burn hazard.

The remote available as an accessory with this product contains AAA batteries. If the battery is swallowed, it can cause severe internal burns in just 2 hours and can lead to death.

Keep the new and used batteries away from children. Examine devices and make sure the battery compartment is secure.

If the battery compartment does not close securely, stop using the product and keep it away from children.

If you think batteries might have been swallowed or placed inside any part of the body, seek immediate medical attention.

Call the Poisons Information Centre on 13 11 26 or go to a hospital emergency room.

Do not let the child eat or drink and do not induce vomiting. Dispose of used button batteries immediately.

Flat batteries can still be dangerous.

The battery supplied with this product is not to be recharged.

Different types of batteries or new and used batteries are not to be mixed. Battery to be inserted with the correct polarity. + for positive, - for negative.

Exhausted batteries are to be removed from the appliance and safely disposed of.

If the appliance is to be stored unused for a long period, the batteries should be removed.

Dispose of used button batteries immediately.

Flat batteries can still be dangerous. the supply terminals are not to be short-circuited.

FAULT FINDER:

Always check the "Trouble Shooting Checklist" included in this booklet before seeking warranty claim.

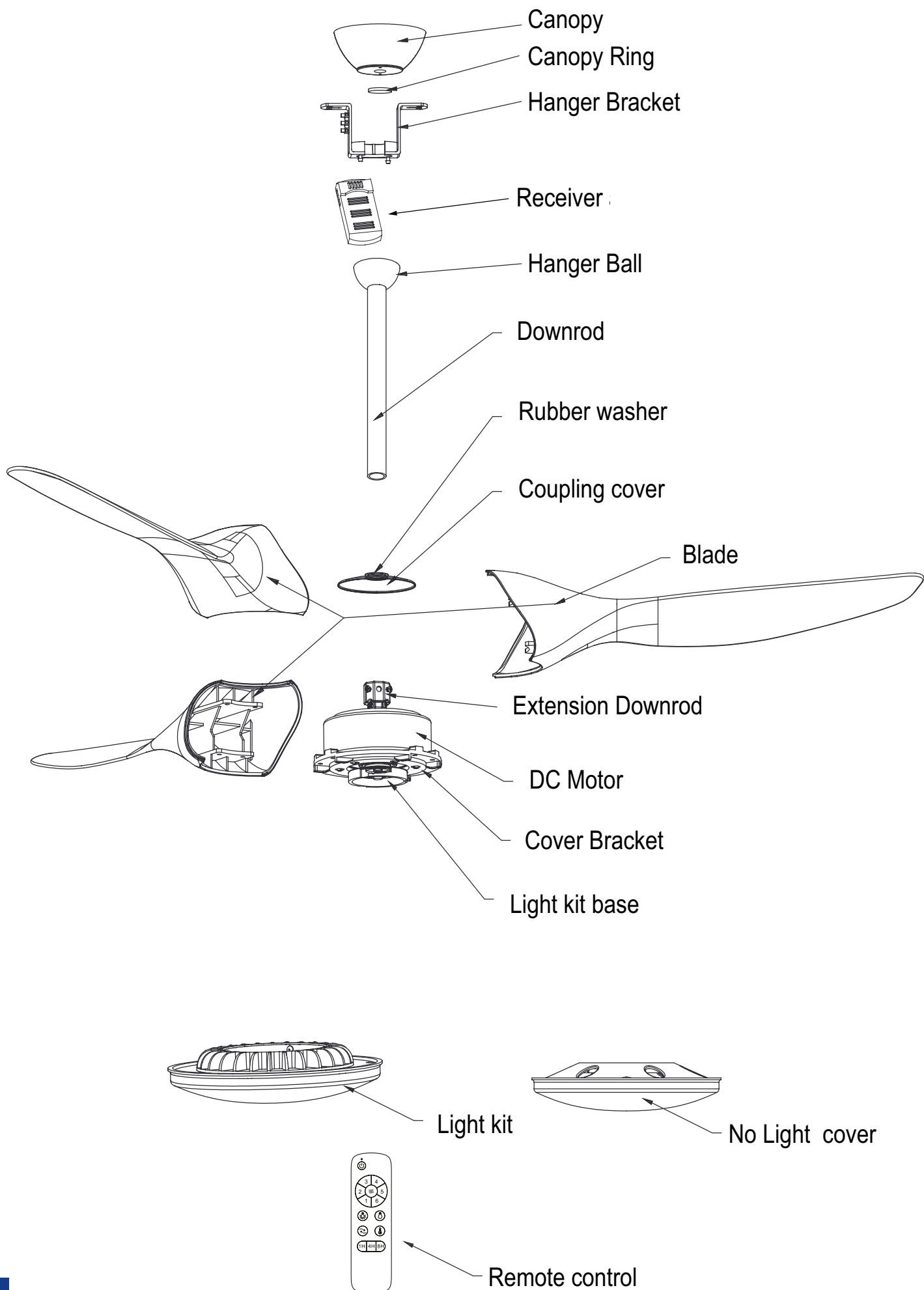
Mechanical noise may be noticed on installation. Allow at least 8 hours settling-in period.

Some fans may wobble more than others, even if they are identical. This does not necessarily indicate a fault.

PREPARATION:

1. Unpack your ceiling fan carefully, then remove all parts and components, and lay on a cloth or soft surface to avoid damage. DO NOT lay the motor housing on its side, the housing may get damaged.
2. Before commencing installation, check that all parts are included.

PARTS INCLUDED

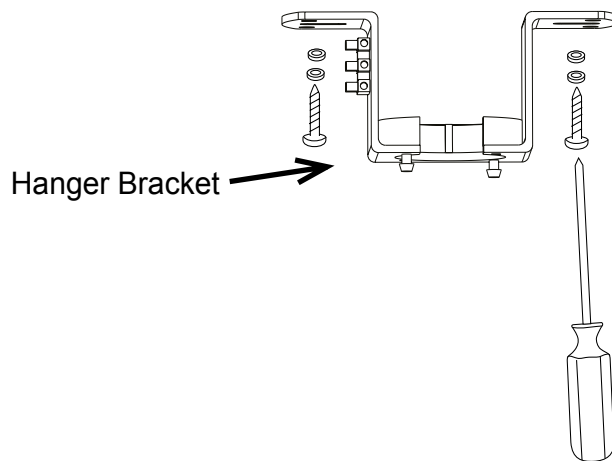


INSTALLATION AND ASSEMBLY

CAUTION: Before installing the fan make sure you have turned OFF the electricity supply.

SELECTING A LOCATION:

1. Choose a location for mounting the fan where the blades will have at least 2.1 metres of clearance from the floor.
2. Make sure that the installation site will not allow the rotating fan blades to come into contact with any object and that there is enough space from the blade tip to the wall or ceiling. Please note that insufficient clearance distances might cause wobbling and the bigger this clearance is the better the airflow from your fan will be.
3. This product can be installed in a position where it is covered or enclosed al fresco areas and there is a minimum clearance of 1.50 m from the blade tip to all edges of the roof or positions where could be exposed to water, moisture or other dangerous external elements.
4. Secure the hanging bracket to the ceiling joist or suitable structure that is capable of carrying a load of at least 60 kg, with the two long fixing screws provided. Ensure that at least 30mm of the screw is threaded into the support.

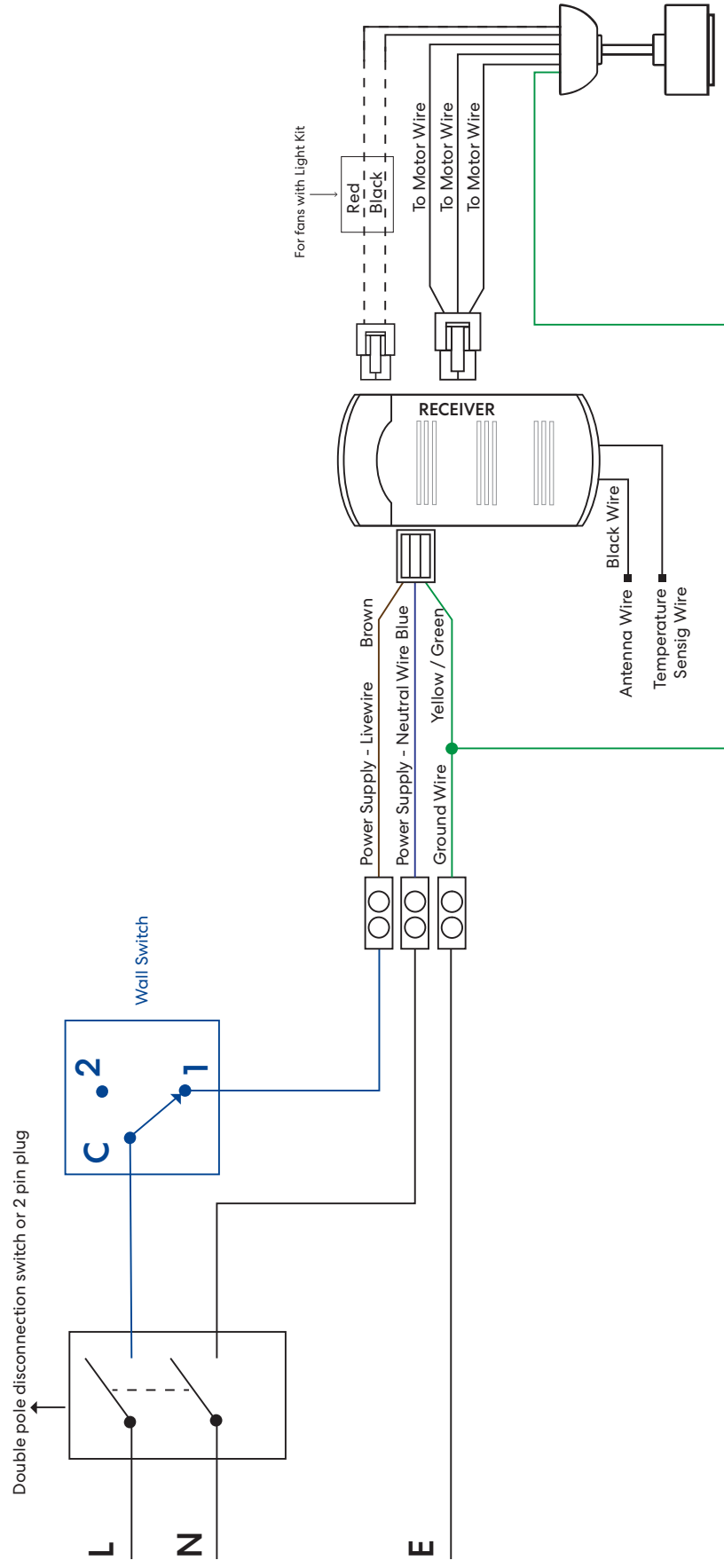


The fixing screws included are designed for use when ceiling fan is secured onto timber joists. For all other surfaces, additional and suitable fixing screws for that surface will need to be purchased.

ELECTRICAL CONNECTIONS

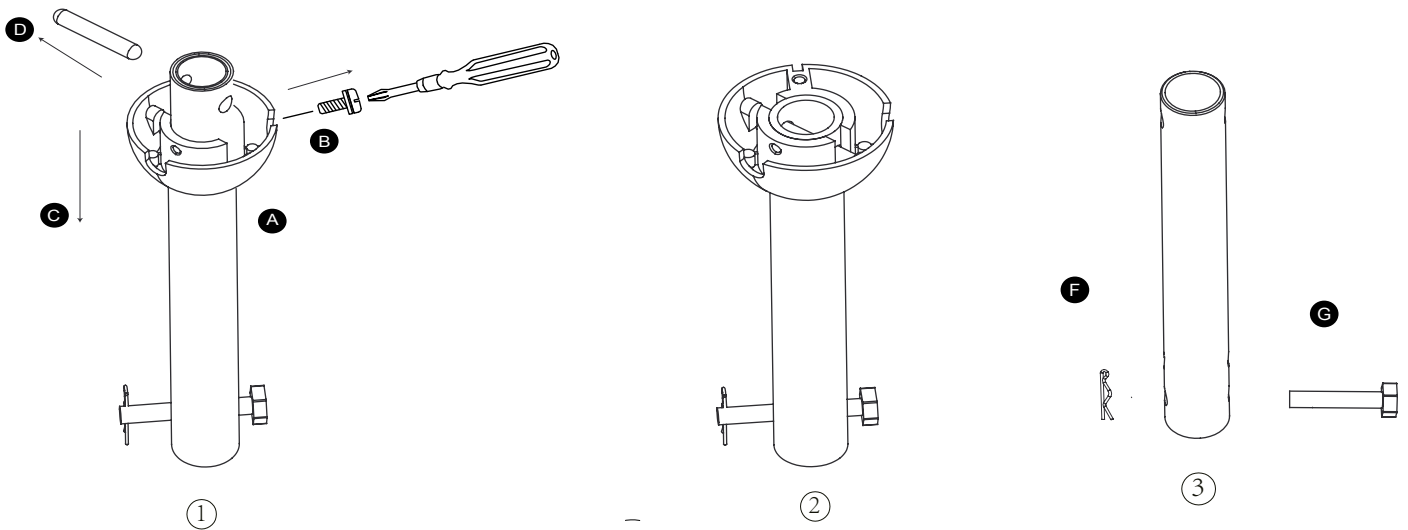
- Ensure the power is off when installing this fan.

WIRING DIAGRAM

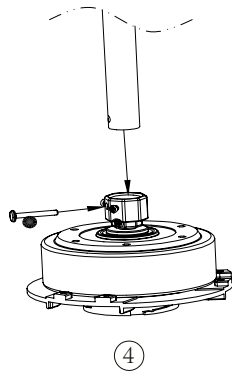


INSTALLATION STEPS

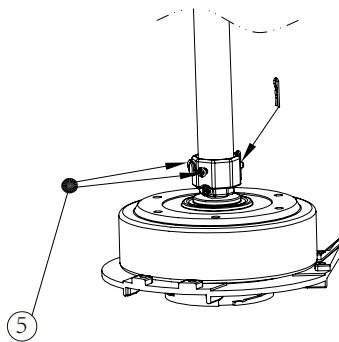
1. From one end of the downrod (A), unscrew the holding screw (B), slide the ball down (C) remove the ball-pin (D).
2. Slide the hanger ball up and totally off the downrod. Keep all pieces to reassemble later.
3. From the other end of the downrod , remove the cotter-pin (F) and slide out the cross-pin (G).



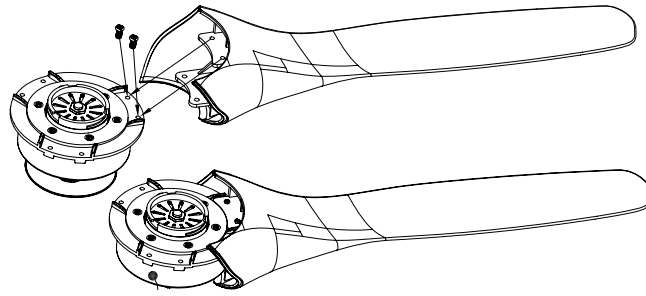
4. Take off the ball joint. Feed the main motor wire plug up through the inside of the downrod, then twist the downrod into the motor bush.



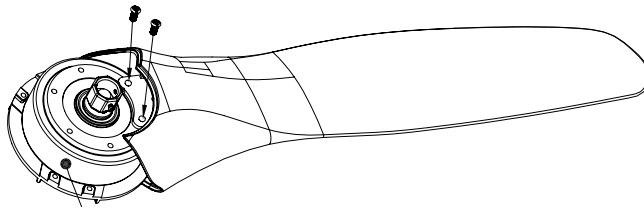
5. Align the holes on downrods and holes on motor extension downrod. Gently push the cross pins through the holes and secure them with cotter pins and screws.
CAUTION: DO NOT force the cross-pin, gently wiggle and rotate it until it glides through both holes.



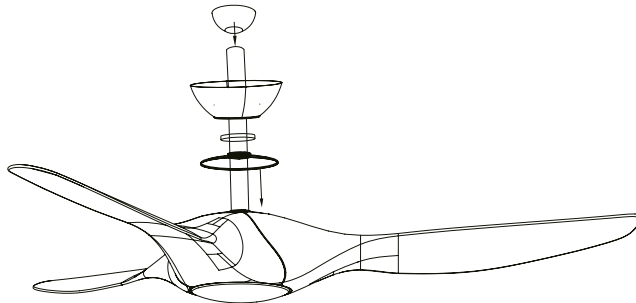
6. Take blades screws and washers off from top of the motor. Align the blades with screw holes on motor housing, and secure with the screws and washers.



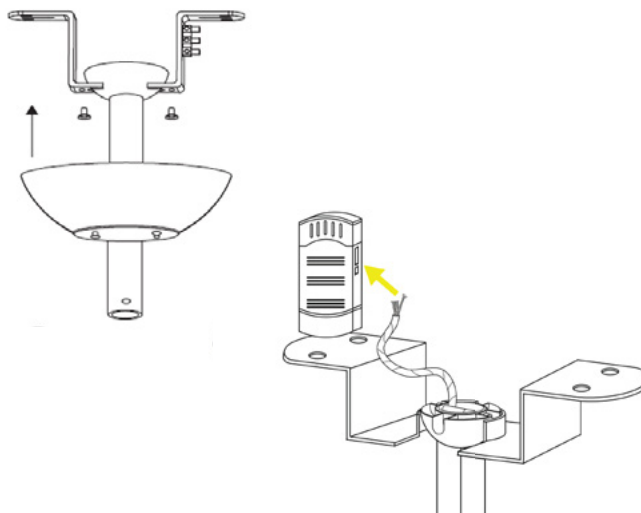
7. Flip the motor around, secure the screws and washers on the other side of the motor.



8. Put the decorative ring and canopy through the downrod. Place the hanging ball on top of the down rod and secure it with the ball pin and two screws.

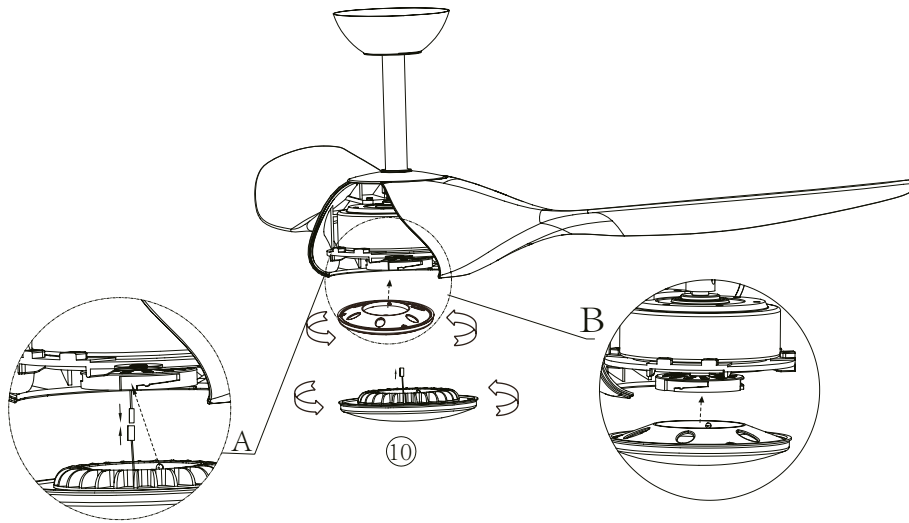


9. Face slot on hanging ball to the middle of the hanging bracket. Place hanging ball into the bracket. Place the receiver on top of the hanger ball and connect the wires.

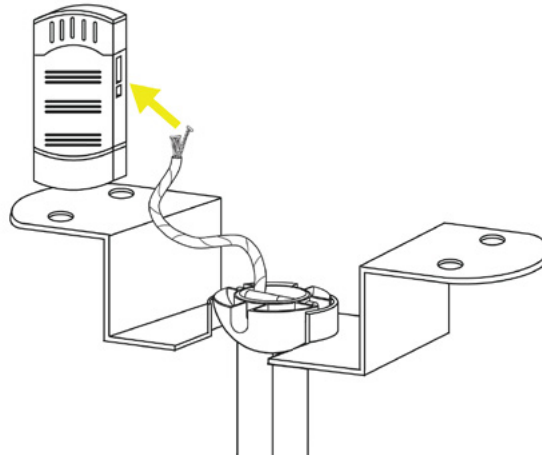


10. If light kit to be installed. Connect the push plug wire attached on the light kit with the push plug attached to the motor.

Hold the light kit or bottom cover up to align metal base of the motor and rotate clockwise



11. Connect power, receiver and the fan as electrical wiring diagram. **IMPORTANT:** The fan must be earthed! Double pole disconnection switch and wall switch must be connected.



CARE & CLEANING:

- Periodic cleaning (approximately 6 months) of your ceiling fan is the only maintenance required.
- Use a soft brush or lint free cloth to avoid scratching the finish. Please turn off electricity when you do so.
- Do not use water when cleaning your ceiling fan. It could damage the motor or the wooden blades and create the possibility of an electrical shock.
- The motor has a permanently lubricated ball bearing and as such, is maintenance free.

NOISE:

The manufacturer warranty covers actual faults that may develop, but NOT minor complaints, e.g. motor operation noise - ALL ELECTRIC MOTORS ARE AUDIBLE TO SOME EXTENT; this is more obvious when the fan is operating at low speeds.

WOBBLE:

- Ceiling fans are designed to move during operation because they are not generally rigidly mounted
- Movement of a couple of centimetres is acceptable for safe operation.
- Balancing kits included should be used to adjust the balancing when first installed.

NORMAL WEAR AND TEAR:

Threaded components working slightly loose or blade carriers even slightly bent due to vigorous cleaning or bumping can cause extra wobble and noise. THIS IS NOT COVERED UNDER WARRANTY, but a little care and maintenance can reduce or prevent this problem.

REMOTE CONTROL SETTINGS & OPERATION

REVERSE FUNCTION

The “Summer/Winter” reverse function is included in the remote control to make the fan rotate in an anti-clockwise direction during summer.

In winter, this can be reversed, so that the blades now move in a clockwise direction.

NOTE:

The Hand Held Remote Control System is equipped with a learning frequency function which has code combinations to prevent potential interference from other remote units. The frequency on your Receiver and Transmitter units have been pre-set at the factory. If the remotes need programming please following these instructions and use a small size tool to change the code switch setting for each remote.

PAIRING THE REMOTE:

1. Connect power to the fan. Turn on the isolation switch. Once the power is connected to the receiver. The receiver will make a beep sound.
2. Within 30 seconds after turning on the power, short press “⏻” button on the remote for 5 to 10 seconds. The receiver will produce a long beep once it’s successfully paired.
3. Now test the remote by pressing any speed button.
4. It can take up to 10 seconds for the fan to start moving, after pressing a speed button. The fan may move a few times slightly backwards and forwards and then will start rotating slowly whilst building up to the correct speed. This is normal behaviour for DC fans.
5. To mute the beep sound, press and hold “1H” button for 5 seconds. The receiver will produce one beep when it’s set.

Considerations:

1. If the receiver is not receiving a signal from the remote control:
 - a. Please check the battery to ensure it has sufficient power and has been inserted correctly and aligns with the positive and negative terminals; or
 - b. Please check if there are any other similarly remote-controlled objects that work nearby,

as remote-controlled items operating on the same frequency may disturb each other.

2. If the battery is low it will affect the sensitivity of the remote control and the signal reception and must be replaced (the LED indicator light will flash a warning when the battery runs low).

3. Please remove the battery if the remote control is not being used for a long time.

4. If multiple fans are installed near the fan to be paired, power to the other fans should be turned off before pairing.

5. Be careful not to press the antenna of receiver when installing. Damage to antenna may lead to poor communication between receiver and remote or a short circuit.

Considerations when installing multiple ceiling fans:

Sometimes you may encounter a remote control issue when installing multiple fans. For the purposes of this troubleshooting guide:

Fan A uses Remote control A and Receiver A, while Fan B uses Remote control B and Receiver B.

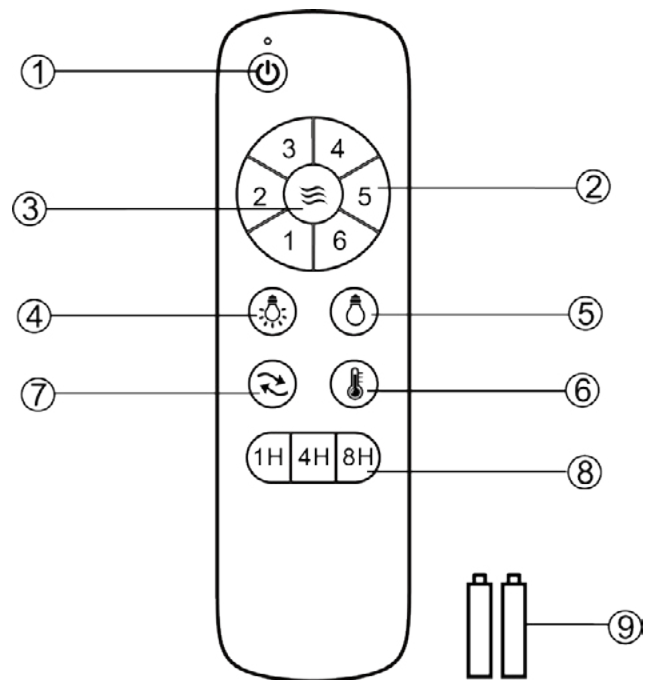
1. Isolate power to one fan only when pairing the remotes

When installing two or more fans, you should manually isolate power to Fan B while completing the pairing process on Fan A. If power is not isolated to one of the fans when the power is restored at the fuse box, then both receivers will be put into “learning mode” such that when you try to pair Remote control A to Receiver A, Receiver B will also be in learning mode and might pair to Remote control A too.

2. DIP switch in the remote battery compartment needs to be adjusted to different positions for different fans to avoid transmitter signal interference.

FUNCTIONS OF THE TRANSMITTER

1. Fan off
2. Fan on/Speeds of the fan (1 – low, 6 – high)
3. Natural wind mode
4. Light on
5. Light off
6. Temperature base automation
After the automation is activated
 - fan runs at speed 6 when ambient temperature reaches 27 °C.
 - fan runs at speed 3 when ambient temperature is between 20 to 26 °C.
 - fan runs at speed 1 when ambient temperature goes below 20 °C.
7. Direction of the fan (Forward/Reverse)
8. Timing control of the fan
9. Batteries



Trouble	Possible Cause	Suggested Remedy
Fans does not start after pairing process	A) Remote and receiver are not paired successfully B) Battery flat in remote control C) Loose wire connections or plugs to fan/receiver D) No power goes into the fan	A) Re-pair the receiver and remote B) Replace the battery in remote control C) Check wire connections and ensure plugs are positively connected D) Check RCD/Switch board and wiring on premises
Fan keeps beeping, but will not start.	Loose wire connections or plugs to fan/receiver	Check wire connections and ensure plugs are positively connected
Fan wobbles.	A) Screws on down rod are not tightened B) Blades are not balanced	A) Re-tighten the screws on down rod B) Use the balancing kit to balance the blades.
Fan makes clicking sound.	A) Coupling cover does not sit securely on motor housing B) Rubber ring on coupling cover is removed	A) Adjust coupling cover and ensure it sits properly on the motor housing B) Check couple cover and ensure there's a rubber ring on the top of the cover.

Model Number	Rated Voltage	Motor Consumption
CFFCOR34BK	220-240 V	Max. 45 W
CFFCOR34KO	220-240 V	Max. 45 W
CFFCOR34WH	220-240 V	Max. 45 W

Light Model	Rated Voltage	Power	Colour Temperature
CLFCOR2LED	220-240 V	Max. 18 W	4000 K
CLFCOR2CCT	220-240 V	Max. 18 W	3000/4000/5000 K

fanco●