

# Quiet

# 150

## Installation Manual

fanco 



**Before installing your new Fanco exhaust fan, it is important that you read and follow these instructions prior to installation, even if you feel you are quite familiar with this type of product. Please keep this document handy for future reference as it contains servicing and maintenance requirements.**

## **WARNING**

Disconnect the fan from power mains prior to any connection, servicing and repair operations.

Mounting and maintenance are allowed for duly qualified electricians with valid electrical work permit for electric operations at the units up to 1000V after careful study of the present user's manual.

The single-phase power mains must comply with the acting local electrical norms and standards.

The fixed electrical wiring must be equipped with an automatic circuit breaker. The fan must be connected to power mains through an automatic circuit breaker QF integrated into the fixed wiring system with the gap between the breaker contacts on all poles not less than 3 mm.

Check the fan for any visible damages of the impeller and the casing before starting installation.

The casing internals must be free of any foreign objects which can damage the impeller blades.

Misuse of the device or any unauthorized modification is not allowed.

The fan is not to be used by children and persons with reduced physical, mental or sensory capacities, without proper practical experience or expertise, unless they are controlled or instructed on the product operation by the person(s) responsible for their safety.

Do not leave children unattended and do not let them play with the product.

Take steps to prevent ingress of smoke, carbon monoxide and other combustion products into the room through open chimney flues or other fire-protection devices. Sufficient air supply must be provided for proper combustion and exhaust of gases through the chimney of fuel burning equipment to prevent back drafting.

Transporting medium must not contain any dust or other solid impurities, sticky substances or fibrous materials.

Do not use the fan in the environment containing hazardous or explosive materials and vapours, i.e. spirits, gasoline, insecticides, etc.

Do not close or block the fan intake or extract vents in order to ensure the most effective air passage.

Do not sit on the fan and do not put objects on the fan.

Fulfil the requirements stated in this user's manual to ensure long service life of the product.

***Recycle at the end of the service life.***

***Do not dispose the product with unsorted municipal trash.***

The Quiet 150 axial exhaust fan described in this user's manual is designed for exhaust ventilation of small to medium-sized premises heated during winter.

### **DELIVERY SET**

1. Fan: 1 piece
2. Screws and dowels: 4 pieces
3. User's manual: 1 piece
4. Packing box: 1 piece

### **SHORT DESCRIPTION**

The unit described here is an axial fan for exhaust ventilation of small to medium-sized premises heated during winter.

The fan is made from white plastic.

The fan is equipped with a double-speed motor.

The fan is designed for connection to Ø 150mm air ducts.

The fan is fitted with a back valve that prevents air back drafting when the fan is off.

Due to constant improvements the design of some models may slightly differ from those ones described in this manual.

### **OPERATION RULES**

The fan is designed for connection to AC 220-240 V, 50 Hz power mains.

Air flow direction in the system must match the pointer direction on the fan casing.

Ingress protection rating against access to hazardous parts and water ingress: IP45

The fan is rated for operation at the ambient air temperature from +1 °C up to +45 °C.

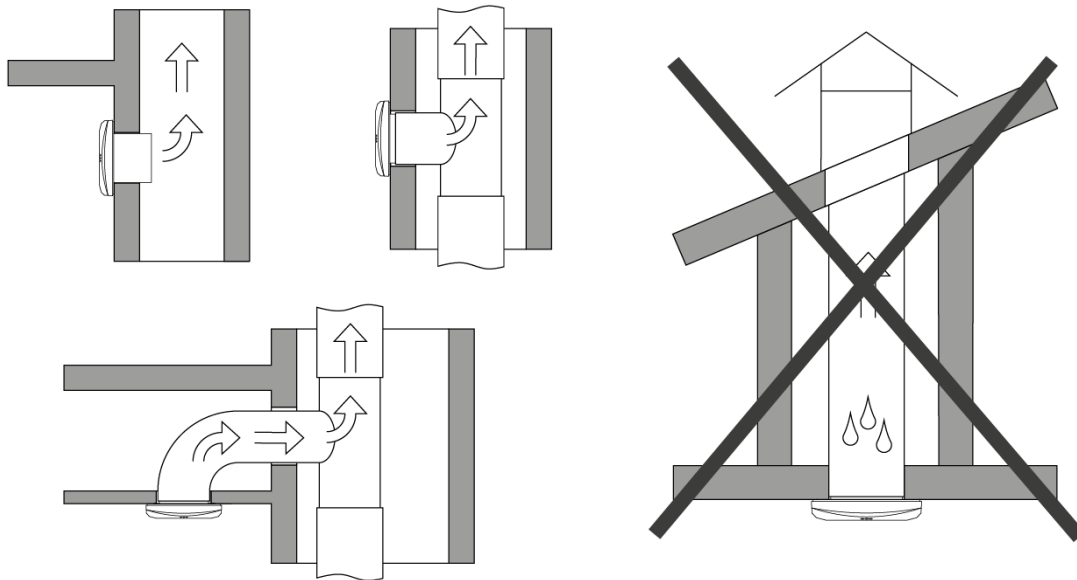
The unit is rated as a Class II electrical appliance.

The fan requires no grounding.

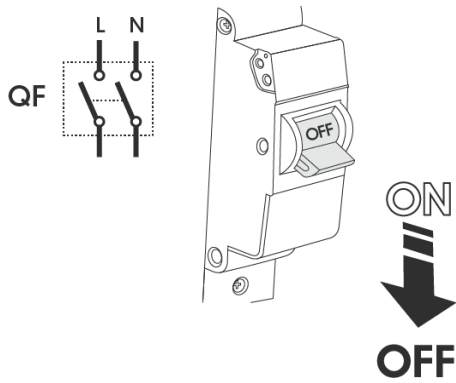
## MOUNTING

The fan is designed for wall or ceiling mounting with direct air exhaust to the ventilation shaft or into the round air duct of matching diameter.

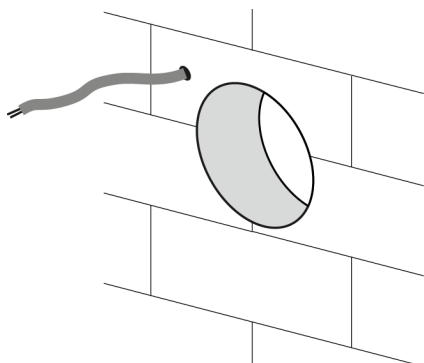
Please Note - In case of vertical mounting the fan must be protected against ingress of rainfalls and condensate inside the fan. Fan installation with direct air discharge upwards is not allowed.



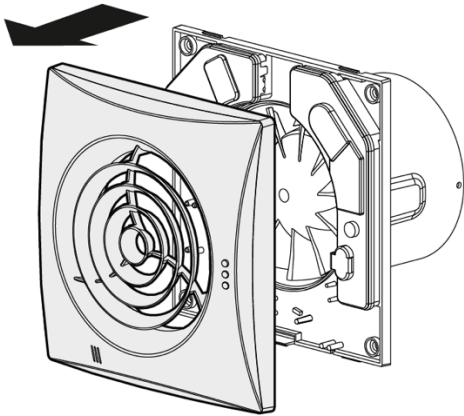
**STEP 1** - Cut off power supply and make preparations in the room to install a fan.



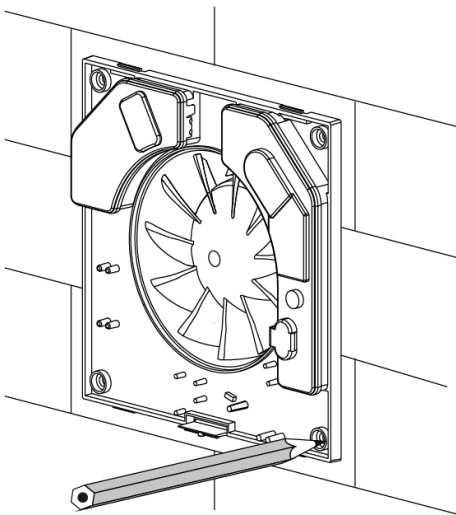
**STEP 2** - Make an appropriately sized hole in the wall based on the flange diameter of the rear part of the fan. The power cable must be routed through the screwed cable gland.



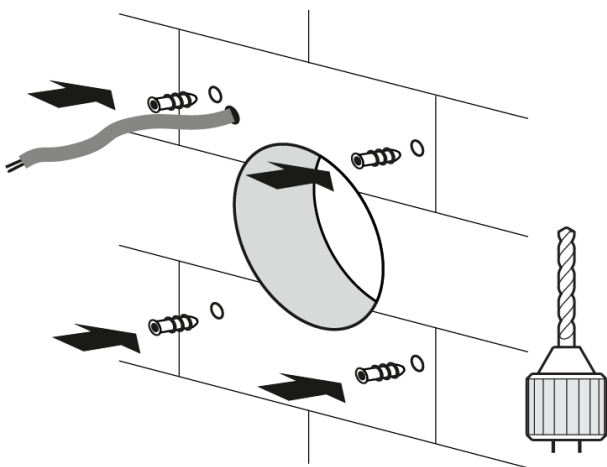
**STEP 3** - Remove the front panel from the fan. Then remove the terminal block cover.



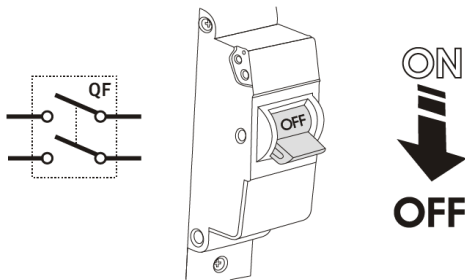
**STEP 4** - Position the fan in your preferred installation location and mark the position of the holes on the fan where the screws will then be placed.



**STEP 5** - Drill the holes for the in compliance with the mounting seats on the fan casing and install the fan with screws. If required insert wall plugs into masonry if installing fan directly onto a brick wall. Fix the fan with the screws.

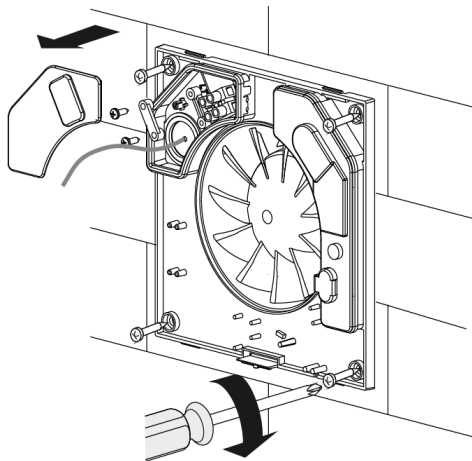


**STEP 6** – Connect the fan to single-phase power mains through the automatic circuit breaker integrated into the fixed power mains. Cut power supply off prior to wireworks. The contact gap on all poles must be at least 3 mm.



**STEP 7** – Connect the power cord wires to the terminal block and assemble the fan in reverse order by following the wiring diagram. Install the retaining clamp back and secure it with the included screws.

The **WIRING DIAGRAM** can be found on the following page.



**TERMINAL DESIGNATION KEYS AT WIRING DIAGRAMS:**

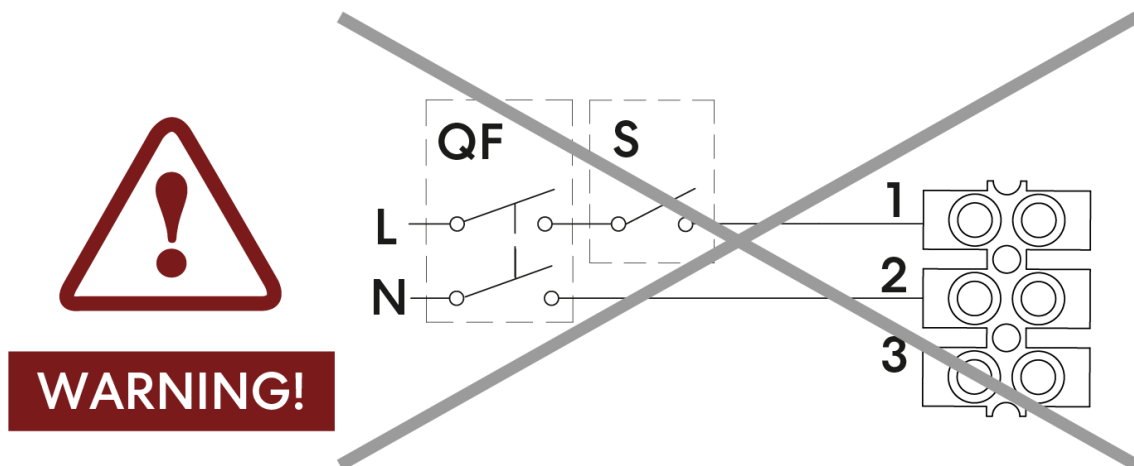
L - phase (only for 220-240 V power mains)

N - 0 (only for 220-240 V power mains)

S - external switch

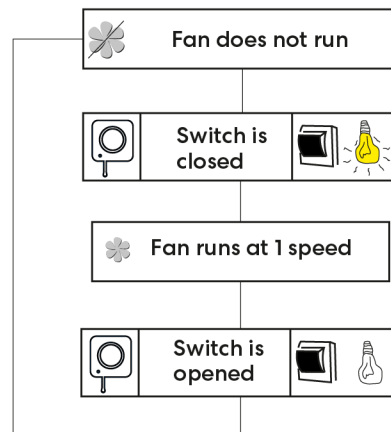
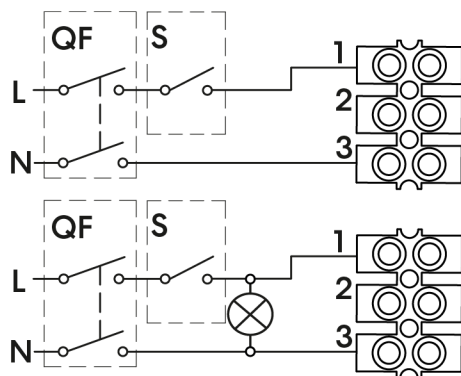
QF – automatic circuit breaker

**Warning!** Parallel power supply to terminals 1 & 2 (Step 4) is not allowed! This would result in complete fan breakdown.



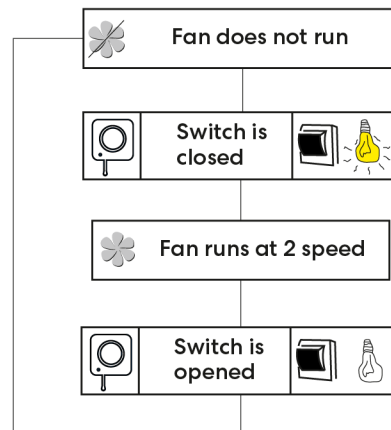
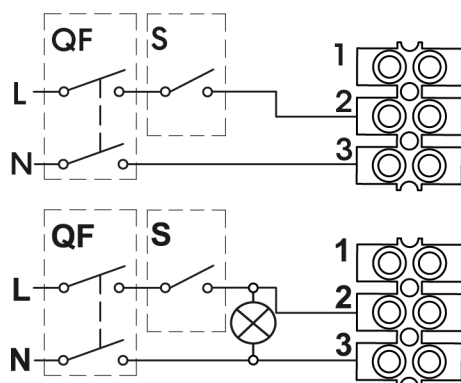
## WIRING DIAGRAM

150 Quiet (1st Speed)



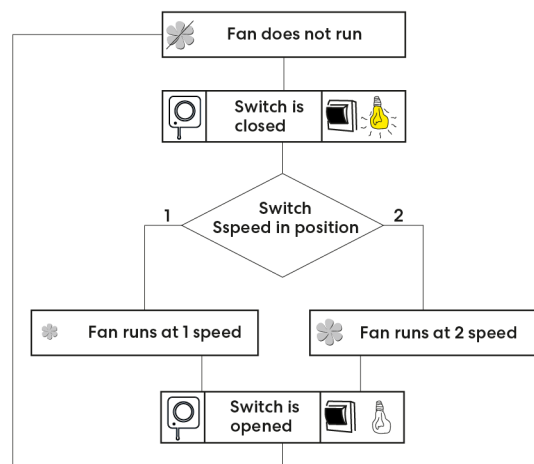
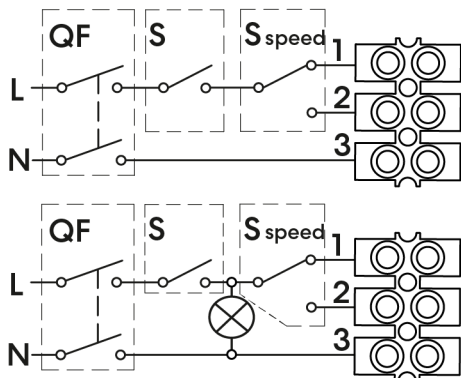
### 1. FIRST SPEED

150 Quiet (2nd Speed)



### 2. SECOND SPEED

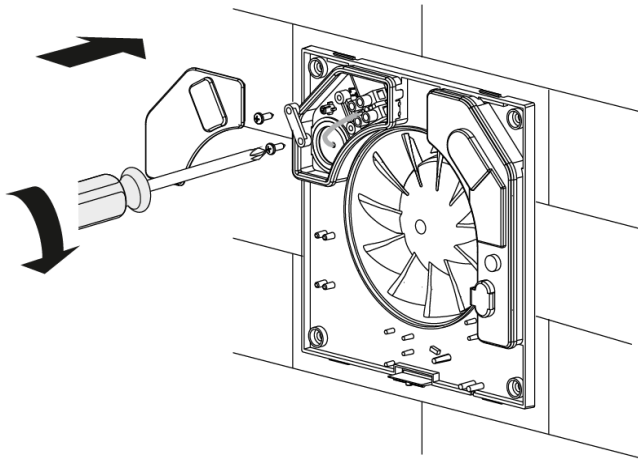
150 Quiet (1st and 2nd Speed)



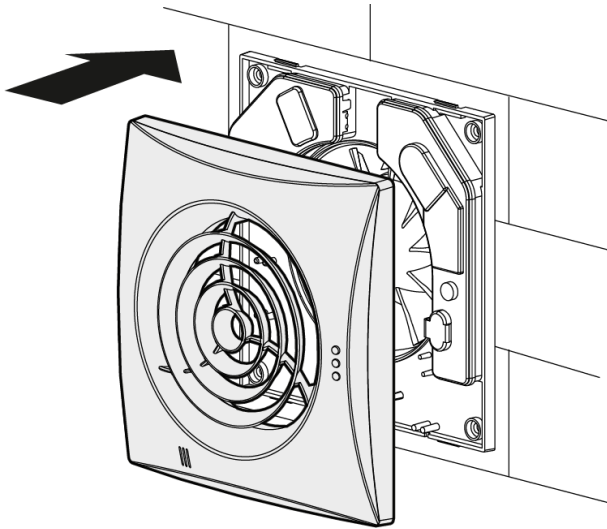
### 3. FIRST AND SECOND SPEED



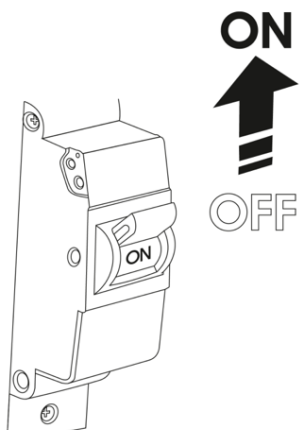
**STEP 8** – Screw in and fix the cover back onto terminal block using the provided screws.



**STEP 9** – Place the decorative cover back on.



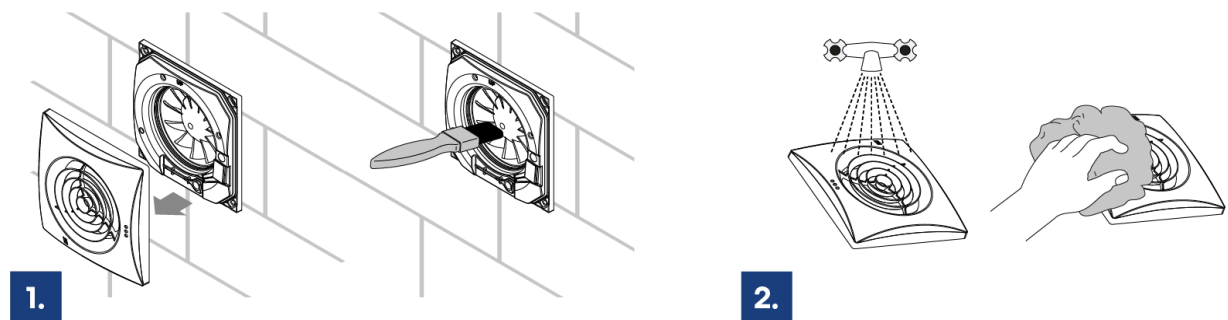
**STEP 10** – Turn on mains power to supply power to the fan.



## MAINTENANCE

The product surfaces must be regularly cleaned from dirt and dust. Cut off power supply prior to any maintenance operations. Use a soft cloth or compressed air to remove external dust. To clean internal surfaces, remove the front cover. Thoroughly clean the internal surfaces every 6 months using a soft dry cloth or a brush. Wash the front panel under running water and wipe the fan surfaces dry. After cleaning, mount the fan cover back on, tighten the screws and connect the fan to power supply.

Avoid water dripping on the electric components. Wipe the surfaces dry after cleaning.



## STORAGE REGULATIONS

Transport the product by any transportation vehicle in the manufacturer's original package.

Store the delivered product in the manufacturer's original packing box in a dry ventilated premise with the temperature range from +5°C up to + 40°C and relative humidity less than 80%.

The storage environment must not contain dust, acid or alkali vapours that may cause corrosion of the product parts.



**fanco**●