

Luna

200 / 250

Installation Manual

Before installing your new Fanco exhaust fan, it is important that you read and follow these instructions prior to installation, even if you feel you are quite familiar with this type of product. Please keep this document handy for future reference as it contains servicing and maintenance requirements.

WARNING

Disconnect the fan from power mains prior to any connection, servicing and repair operations.

Mounting and maintenance are allowed for duly qualified electricians with valid electrical work permit for electric operations at the units up to 1000V after careful study of the present user's manual.

The single-phase power mains must comply with the acting local electrical norms and standards.

The fixed electrical wiring must be equipped with an automatic circuit breaker. The fan must be connected to power mains through an automatic circuit breaker QF integrated into the fixed wiring system with the gap between the breaker contacts on all poles not less than 3 mm.

Check the fan for any visible damages of the impeller and the casing before starting installation.

The casing internals must be free of any foreign objects which can damage the impeller blades.

Misuse of the device or any unauthorized modification is not allowed.

The fan is not to be used by children and persons with reduced physical, mental or sensory capacities, without proper practical experience or expertise, unless they are controlled or instructed on the product operation by the person(s) responsible for their safety.

Do not leave children unattended and do not let them play with the product.

Take steps to prevent ingress of smoke, carbon monoxide and other combustion products into the room through open chimney flues or other fire-protection devices. Sufficient air supply must be provided for proper combustion and exhaust of gases through the chimney of fuel burning equipment to prevent back drafting.

Transporting medium must not contain any dust or other solid impurities, sticky substances or fibrous materials.

Do not use the fan in the environment containing hazardous or explosive materials and vapours, i.e. spirits, gasoline, insecticides, etc.

Do not close or block the fan intake or extract vents in order to ensure the most effective air passage.

Do not sit on the fan and do not put objects on the fan.

Fulfil the requirements stated in this user's manual to ensure long service life of the product.

Recycle at the end of the service life.

Do not dispose the product with unsorted municipal trash.

The Luna axial exhaust fan described in this user's manual is designed for exhaust ventilation of small to medium-sized premises.

DELIVERY SET

1. Fan with decorative grille: 1 piece
2. Hole size cut-out template: 1 piece
3. User's manual: 1 piece
4. Packing box: 1 piece

SHORT DESCRIPTION

The unit described here is an axial fan for exhaust ventilation of small to medium premises.

The fan casing is made from white plastic.

The fan is side ducted and comes with a built-in backdraft shutter.

For exhaust to work efficiently, air flow of a volume equivalent to what is being extracted must be able to enter the room. Air can be drawn under the door or through a slightly open window.

The fan is equipped with a ball bearing motor.

The fan is designed for connection to Ø 150mm air ducts. Keep ducting to a minimum length for best operation.

The fan comes with a lead and plug for easy DIY installation.

Ingress protection rating against access to hazardous parts and water ingress: IPX4

It is common for condensation to still form on cold materials such as mirrors particularly in colder seasons and climates. Leaving the fan off for an extended time may assist in reducing this excessive moisture.

Due to constant improvements the design of some models may slightly differ from those ones described in this manual.

Please Note: *If installation of power sockets is required, it must be carried out by a Licenced Electrical Contractor in accordance to AS/NZS3000.*

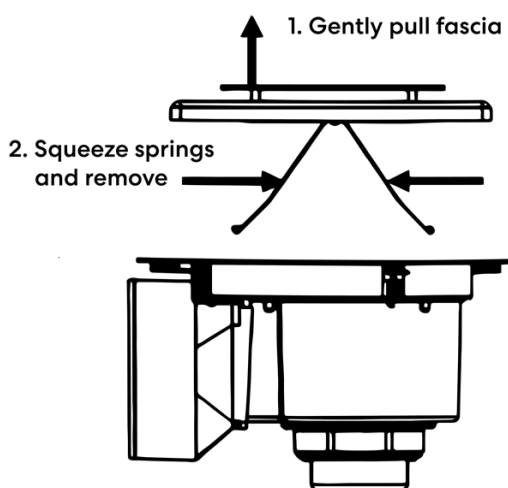
The unit must not be operated in kitchen premises or in high temperature areas such as above or adjacent to cooking equipment.

MOUNTING

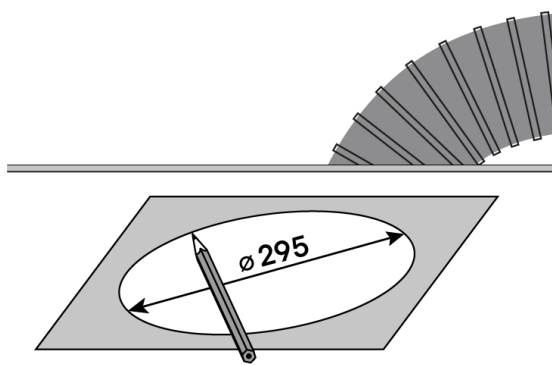
The fan is a component part and is not designed for stand-alone operation. The fan is designed for ceiling mounting only. The fan is to be installed so that the switches and other controls cannot be touched by a person in the bathroom or shower. The fan installation location must comply with local building codes for this type of product. Check the fan for mechanical damages prior to mounting. Do not install the exhaust fan within 1m distance from a ceiling or wall mounted heat source. Ensure there is at least 250mm clearance around and above the exhaust fan once it is installed in the ceiling cavity. Do not cut or remove ceiling beams to install this device. Ceiling insulation should be kept well clear away from the unit and all ducting equipment. When cutting into the ceiling, care must be taken to ensure you do not damage hidden electrical wiring and other utilities.

STEP 1 - Cut off power supply and make preparations in the room to install a fan. Unpack the appliance carefully and place it on a flat surface.

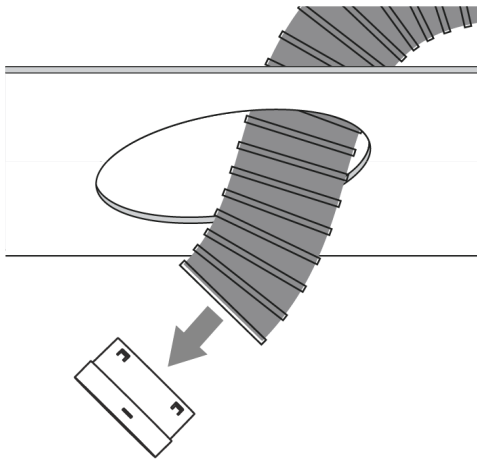
STEP 2 - Remove the front fascia by gently pulling on it against the springs. Gently squeeze the springs and remove them from their respective housing slots.



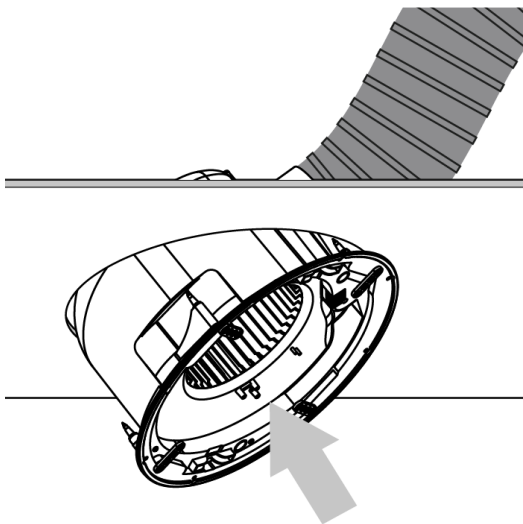
STEP 3 - Use the provided hole size template to mark the mounting location for the fan. Place a nail or pin where the centre of the hole is to be. Take a pencil, pierce the template and complete a circle around the pin. Cut a round hole in the ceiling of $\text{Ø}295\text{mm}$ using a suitable plaster saw, jig saw, or hole saw.



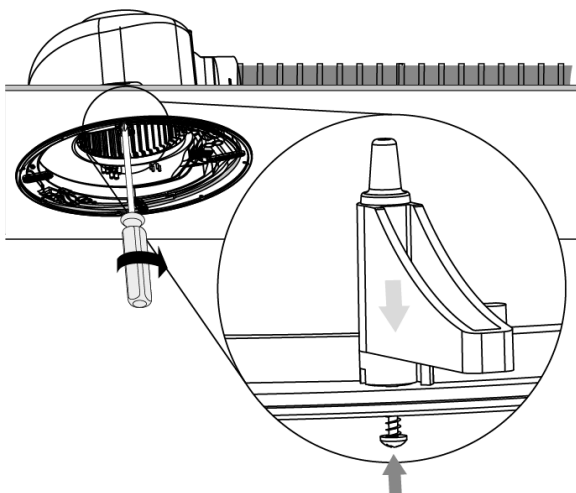
STEP 4 – If ducting is required to completely exhaust air from the room, then install a 150mm duct pipe to the exhaust fan and lay the ducting across the ceiling. and onto a suitable 150mm exhaust vent. Use sealant to properly seal gaps between the building and duct.



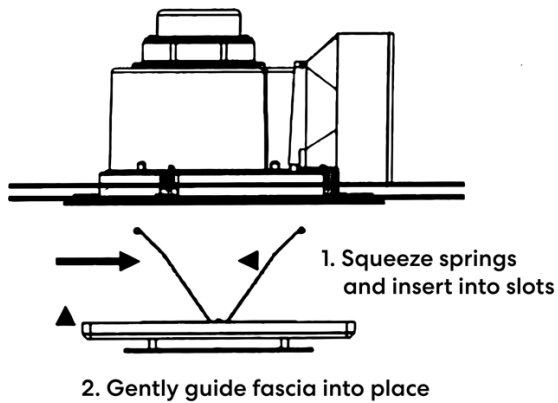
STEP 5 - Slide the exhaust fan into the hole and plug the cord/s into the power outlet/s installed in the ceiling.



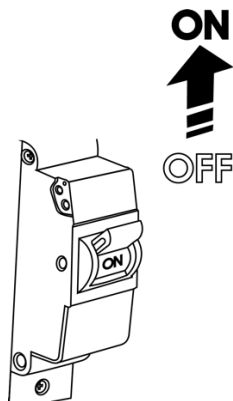
STEP 6 – Screw the wing clamps in firmly until the exhaust fan is securely mounted to the ceiling.



STEP 7 – Install the front fascia by locating spring hole slots and allowing springs to pull the cover plate up over the fan cavity and against the ceiling surface.



STEP 8 – Turn on mains power. Switch unit on at the wall switch.



MAINTENANCE

Regularly maintain the unit to clear dust which may restrict airflow. Cut off power supply prior to any maintenance operations. Remove the front fascia by gently pulling down against the springs. Remove any built-up dust inside the unit. Replace fascia. Clean fascia by wiping with a slightly damp cloth. Allow cover to dry before using. After cleaning, mount the fascia back on, and connect the fan to power supply.

Avoid water dripping on the electric components. Wipe the surfaces dry after cleaning.

STORAGE REGULATIONS

Transport the product by any transportation vehicle in the manufacturer's original package.

Store the delivered product in the manufacturer's original packing box in a dry ventilated premise with the temperature range from +5°C up to + 40°C and relative humidity less than 70%.

The storage environment must not contain dust, acid or alkali vapours that may cause corrosion of the product parts.

fanco●